



SNOWMAN
INTERNATIONAL

VETERINARY INSTRUMENTS CATALOGUE

2022 EDITION



www.snowman.com.pk

5	>Welcome	31	Restraining Equipments
6	About us	35	Obstetric Instruments
7	Hoof & Claws Instruments	38	Obstetric Instruments & Hospital Scissors
12	Hoof & Claws Cutters	39	Instruments For Meat Inspection
13	Dehorning Instruments	40	Teat Instruments
15	Self Retaining Retractors	41	Various Instruments
19	Instruments for Castration Emasculators	42	Scalpel Handle Interchangeable Blades
10	Castration Forceps Emasculators	44	Dental Forceps
21	Castration Forceps	47	Instruments For Docking Dogs
23	Trocars	48	Clippers For Shears
25	Tooth Instruments	49	Sterilizing Forceps
27	Needle Holder with Carbide Tips TC	50	Bandage Scissors With or Without TC
29	Ear Instruments	51	Surgical Scissors With or Without TC
30	Suture Needles	52	Surgical Scissors & Forceps

53	Delicate Scissors	70	Bone Holding Forceps
54	Dressing Forceps	72	Bone Rongeurs
55	Ophthalmic Instruments	73	Towel Clamps Forceps
58	Rongeurs	74	Retractors
59	Bone Holding Forceps	78	Postmortem Saw Plaster Shear
61	Wire Cutters	79	Postmortem Knife
62	Speculum	80	Measuring Instruments
63	Vaginal Speculum	81	Ear Tagging
64	Bovine Vaginal Speculum	82	Ear Tagging Drench Pumps
65	Diagnostic Instruments	82	Syringes & Trays
66	Torsion Fork / Embryotomy	84	Trays & Jars
67	Nail Cutters & Scissors	85	Dressing Container Sterilize Drum & Tray
68	Abdominal Retractors	87	Sterilizing Baskets Standard Crimp Square Hole
69	Tongue Forceps	89	Sterilizing Baskets Standard Plain Square Hole

Table of
Contents

91	Sterilizing Baskets Standard Welded Square Hole
93	Sterilizing Baskets Perforated Side Plate
95	Sterilizing Baskets Standard with LID
96	Equestrian Equipments (Bits)
100	Equestrian Equipments (Stirrups)
101	Cattle Farming
102	Index by Instruments Code Wise

TABLE OF
CONTENTS





WELCOME TO SNOWMAN INTERNATIONAL

SNOWMAN INTERNATIONAL

Do all its business with ethics and moral values. Once a contract is made with a customer, we execute it in its true and literal spirit, To either satisfaction of the client, because customer satisfaction is our satisfaction.

SNOWMAN INTERNATIONAL believes in mastering & specializing in the skill hence **SNOWMAN INTERNATIONAL** decided to focus on understanding & manufacturing Veterinary instruments only. That makes a clear difference in **SNOWMAN INTERNATIONAL** and other instruments manufacturers. The catalogue in your hand is proof of our words. You will find almost all veterinary instruments in this catalogue.

We offer prompt and dedicated services to customers, emphasizing on “quality and cost-effectiveness” to deliver products within their budget and well in time. Our commitment to quality is fulfilled based on continuous monitoring at every stage of the manufacturing process, which has placed us at par with international standards. Our philosophy is to share our knowledge and experience with our customers and to give them strength in all the professional assistance they might need.

We believe in building a relationship with our customers and we extend all possible gestures to get continuous feedback from our customers, which creates courage and confidence to make improvements and developments in products, paving way for growth.

Research and Developments is the utmost priority of **SNOWMAN INTERNATIONAL**. We have a system driven marketing that puts the customer needs first and only produces goods that are known to sell. The product range developed so that production processes are efficient as possible and the instruments are technically superior, hence processing a natural in the market place.

Professional dedication & our craftsmen skills make us one of the top customer's choices for the first-class superior quality veterinary instruments.

Company Policy

SNOWMAN INTERNATIONAL believes in the quality of products. We achieve quality excellence by using quality assurance programs and techniques formulated by ISO standards. Our prompt and dedicated services always attract our customer attention for their business needs and inquiries.

Commitment

SNOWMAN INTERNATIONAL believes in the highest moral values and business ethics. Once a contract made with a customer, We strictly follow up it in its true spirit.

Quality Management System

Our manufacturing emphasizes on quality above all else. Our quality control team strictly maintain instruments quality by ensuring the best available stainless steel, making sure that it is properly forged and processed through highly effective quality control.

Workforce

We at **SNOWMAN INTERNATIONAL** have a team brimming efficiency, education and dedication to increase company strength. With a constant and steady growth, the company now has a workforce consisting of 500 employee and 300 house contractors.

World Wide Delivery

We Provides different methods as per customer requirements.
1.By Sea 2. By Air 3. By Courier

Prices

Price is stable for one year; however, it is subject to change due to steel price increase in the international market. Freight and shipping charges may be added depending on the nature of delivery unless otherwise stated.

Minimum Orders

We require a minimum order of \$1000 to process a delivery.

Payment terms

We require an advance payment of 50% of the face value of total order. Rest of the payment shall be made before the delivery, during which the customer is open to examining their delivered items. All goods remain property of **SNOWMAN INTERNATIONAL** until paid full.
Return Policy.



SMV-1002
Double Edged

SMV-1001
Right Side
with wooden handle
20 cm, 8"



SMV-1004
19 cm, 7 1/2"
Left Side

SMV-1003
With wooden handle
19 cm, 7 1/2"
Right Side



SMV-1006
20 cm, 8"
Hoof Knife, with especially
thin-ground blade, right hand

SMV-1005
Left Hand



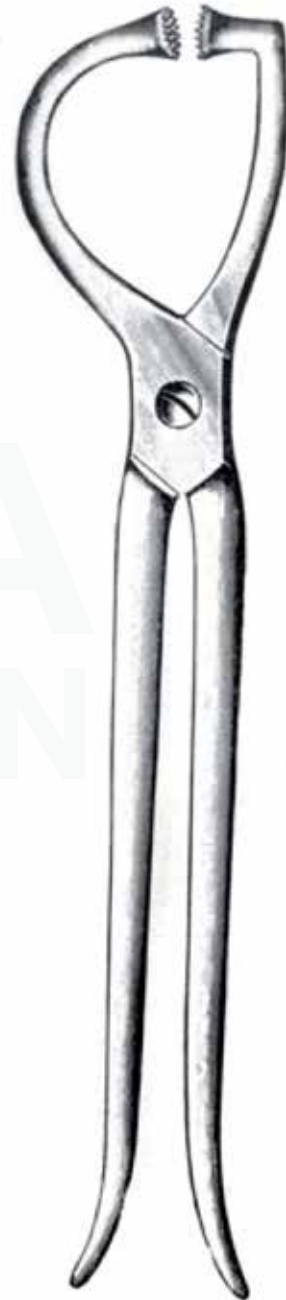
SMV-1007
Hoof Knife
Stainless Steel
Handle



SMV-1008
Parking Knife
Oval Curved,
for cutting claws
of cattle, with
wooden handle



SMV-1009
Buss
Hoof knife,
ring shaped,
stainless steel
handle



SMV-1010
Vienna Pattern
36 cm, 14 1/8"



SMV-1011
Hoof Testing Forceps
30cm, 11 3/4"
(Our special Item)



SMV-1012
Hoof Tester
Large Drop Forged
Stainless Steel



SMV-1013
Hoof Tester 13"
Drop Forged
Stainless Steel



SMV-1014
Hoof Tester Round
Drop Forged
Stainless Steel



SMV-1015
Hoof Tester Round
Flat 15" Forged
Stainless Steel
Round handle



SMV-1016
Hoof Nipper
Drop Forged
Stainless Steel



SMV-1017
Hoof Nipper
Drop Forged
Stainless Steel



SMV-1018
Hoof Cutters
30 cm, 11 3/4"



SMV-1019
Hoof and
Claw Cutter
41 cm, 16"



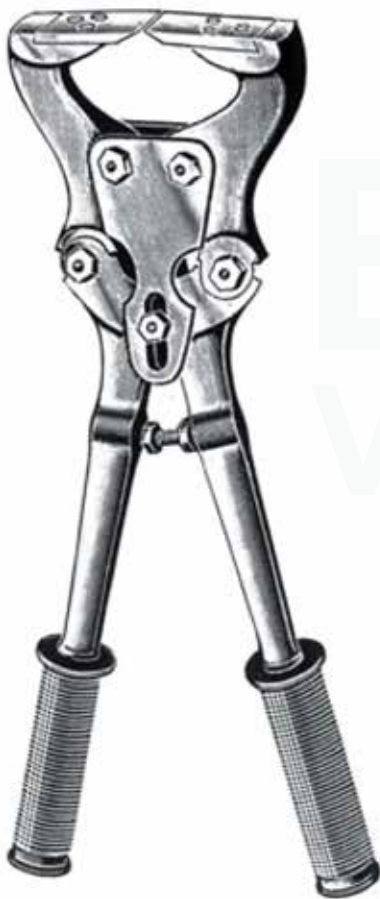
SMV-1020
Hoof Rasps
30 cm, 11 3/4"



SMV-1021
Hoof Rasps
35 cm, 13 3/4"



SMV-1022
Berlin Pattern
27 cm, 10 1/2"
Bill Shaped Forceps
for use in resection
of the hoof cartilage



SMV-1023
Hoof & Claw Cutter
41 cm, 15"
(Our Popular Model)



SMV-1024
Claw Scissors for Cattles
70 cm, 25 1/2"



SMV-1025
Claw Cutter, Side action
60cm, 23 1/2"



SMV-1026

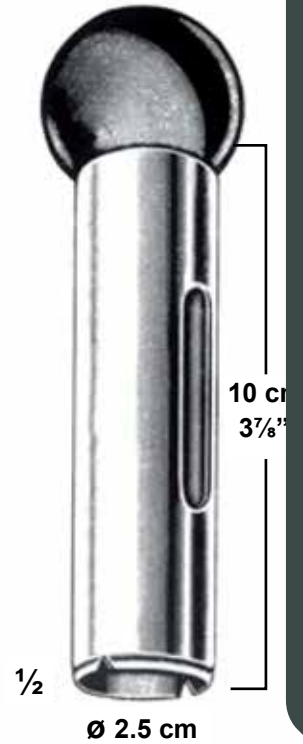
A. Made from very hard steel to easily cut. attractively painted. and grip made of special plastic. very popular instrument. (American Pattern)
b. Also available with wooden handle in very competitive price

SMV-1027

For Claves age 3 - 6 Months



Elastrator stretching forceps for dehorning cattle up to 2½ years of age (can also be used for castrating and docking lambs and pigs) by using the forceps place the horns and depending on the age of the animal, the horns will fall of after a few weeks, (We sell in millions)



Animal Clippers



◀ 100 mm ▶

◀ 100 mm ▶



SMV-1034
15 cm, 6"

SMV-1035

Gelpi-Loctite
15 cm, 6"

◀ 150 mm ▶



17 x 26 mm

SMV-1036

Beckmann
31 cm / 12¼"
Sharp / Blunt



SMV-1037

Weitlaner
A. 13 cm, 5"
B. 16½ cm, 6½"
Sharp / Blunt



SMV-1038

Finsen
7 cm, 2¾"



SMV-1039

Aim
A. 7 cm, 2¾"
B. 10 cm, 4"



SMV-1040

Weitlaner
10½ cm, 4⅛"



SMV-1041

Weitlaner
A. 13 cm, 5"
B. 16 cm, 6½"
Sharp / Blunt

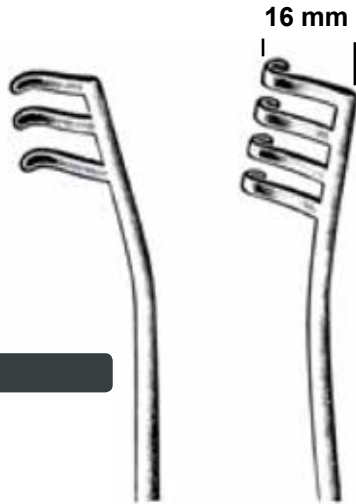


SMV-1042

10½ cm, 4⅛"
Blunt

SMV-1043

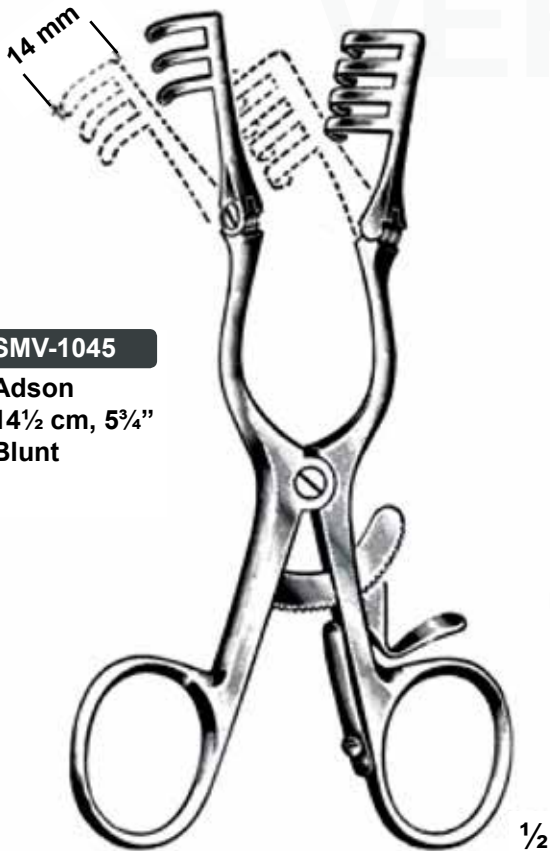
Weitlaner
20 cm, 8"
Blunt



BETA
VERSION

SMV-1045

Adson
14½ cm, 5¾"
Blunt



SMV-1044

Weitlaner
20 cm, 8"
Sharp





SMV-1046
Collin
17½ cm, 7"
With 2 Pair of blades



SMV-1047
Tubingen Pattern
16 cm, 6¼"



SMV-1048
Collin
22 cm, 8¾"



1/2

SMV-1049

**Castration Hook
for cats**
17 cm, 6³/₄"



SMV-1050

Hausmann
A. 19 cm, 7¹/₂"
B. 23 cm, 12¹/₄"
Straight



SMV-1051

Hausmann
A. 27 cm, 10⁵/₈"
B. 31 cm, 12¹/₄"
Straight



SMV-1052

Hausmann
A. 19 cm, 7¹/₂"
B. 27 cm, 10⁵/₈"
Curved



SMV-1053
Verboczy
27 cm, 10½"
With Clamping Parts



SMV-1054
Newberry Castrating Knife
USA Model, Stainless Steel



SMV-1055
Mcindoe
Bone Cutting Forceps
Curved on Flat
17½ cm, 7"



SMV-1056
Bertschy
37½" cm, 14¾"

SMV-1057
Reimers
33 cm, 13"
with cutting device
avec 3 branches

SMV-1058
Sand Castration Forceps
German Pattern,
Very Popular Model
Throughout the world
35 cm, 14"

Castration Forceps with Cord-Stop
Double Action, Modified Pattern, without Knee-Piece



SMV-1059
23 cm, 9"



SMV-1060
30 cm, 11³/₄"
With Wooden Handle



SMV-1061

SMV-1062

SMV-1063 34 cm, 13³/₈"

SMV-1064 40 cm, 15³/₄"

SMV-1065 45 cm, 17³/₄"

Wooden Handle



Ø 4 cm

SMV-150 A



Ø 5 cm

SMV-150 B

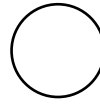


Ø 6 cm

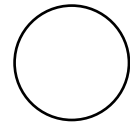
SMV-150 C



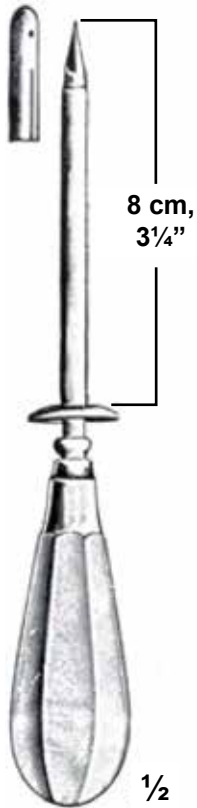
Ø 5 cm



Ø 8 cm



Ø 10 cm



1/2

SMV-1066

16 cm, 6 1/4"

A. with Stainless Steel Handle



1/2

SMV-1067

16 cm, 6 1/4"

A. With Wooden Handle
B. With Stainless Steel Handle

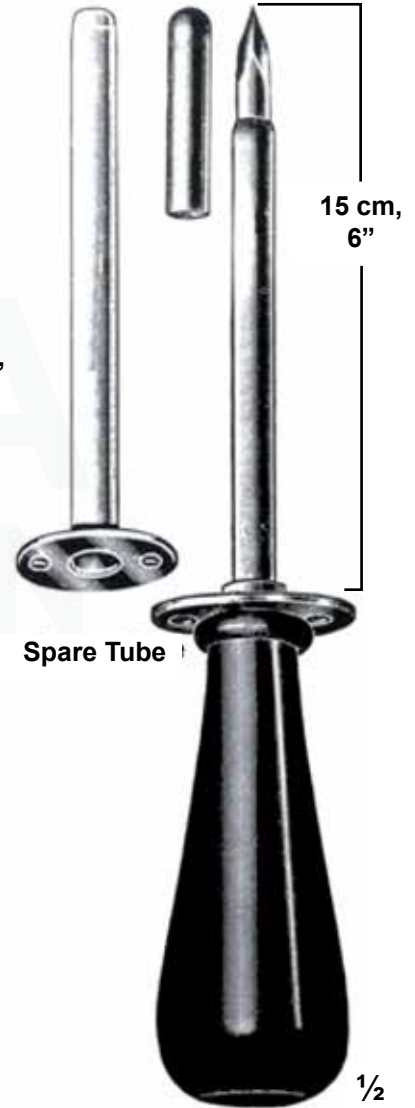


1/2

SMV-1068

19 cm, 7 1/2"

A. with Wooden Handle
B. With Stainless Steel Handle

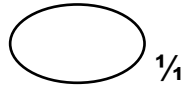


1/2

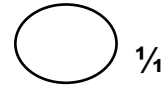
SMV-1069

22 cm, 8 3/4"

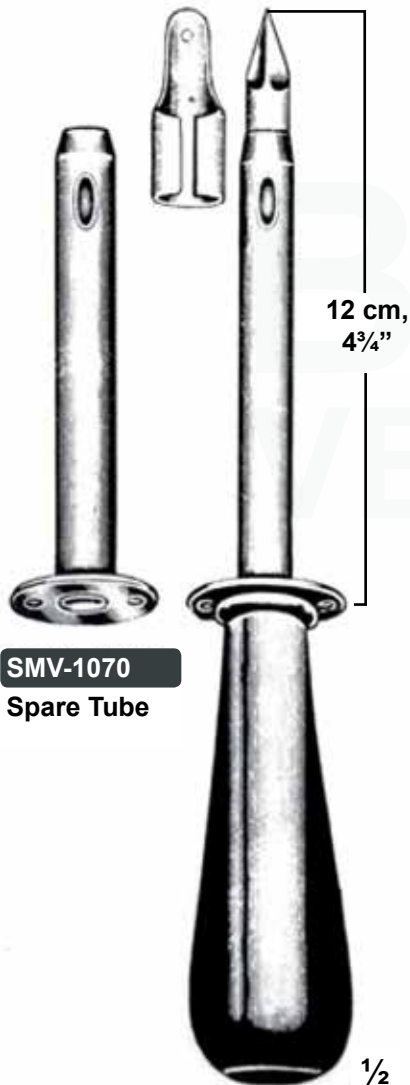
A. With Wooden Handle
B. With Stainless Steel Handle



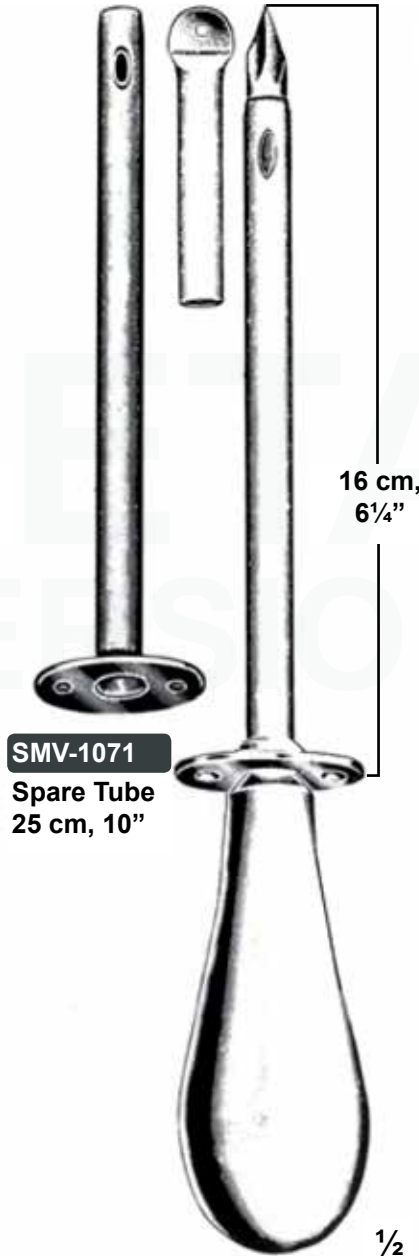
Ø 12x6 cm



Ø 9x7 mm



SMV-1070
Spare Tube



SMV-1071
Spare Tube
25 cm, 10"

SMV-1072
20 cm, 11 3/4"
A. Stainless Steel Handle
B. With Wooden Handle

SMV-1073
Dolz-Knauer
25 cm, 10"
A. Stainless Steel Handle
B. With Wooden Handle



SMV-1074
Stomach Tube
Soft Rubber for Introducing
liquid medicines through
the nose, for young cattle
(Foals etc.)
19/32 diam 98 1/2" Long

SMV-1075
For Large Cattles
5/8 Diam 118 Long



1/4

SMV-1076

**Bein
Root Elevator
Stainless Steel Handle**



1/4

SMV-1077

**Flohr
Root Elevator, Right
Stainless Steel Handle**



SMV-1078

**Flohr
Root Elevator, Left
Stainless Steel
Handle**



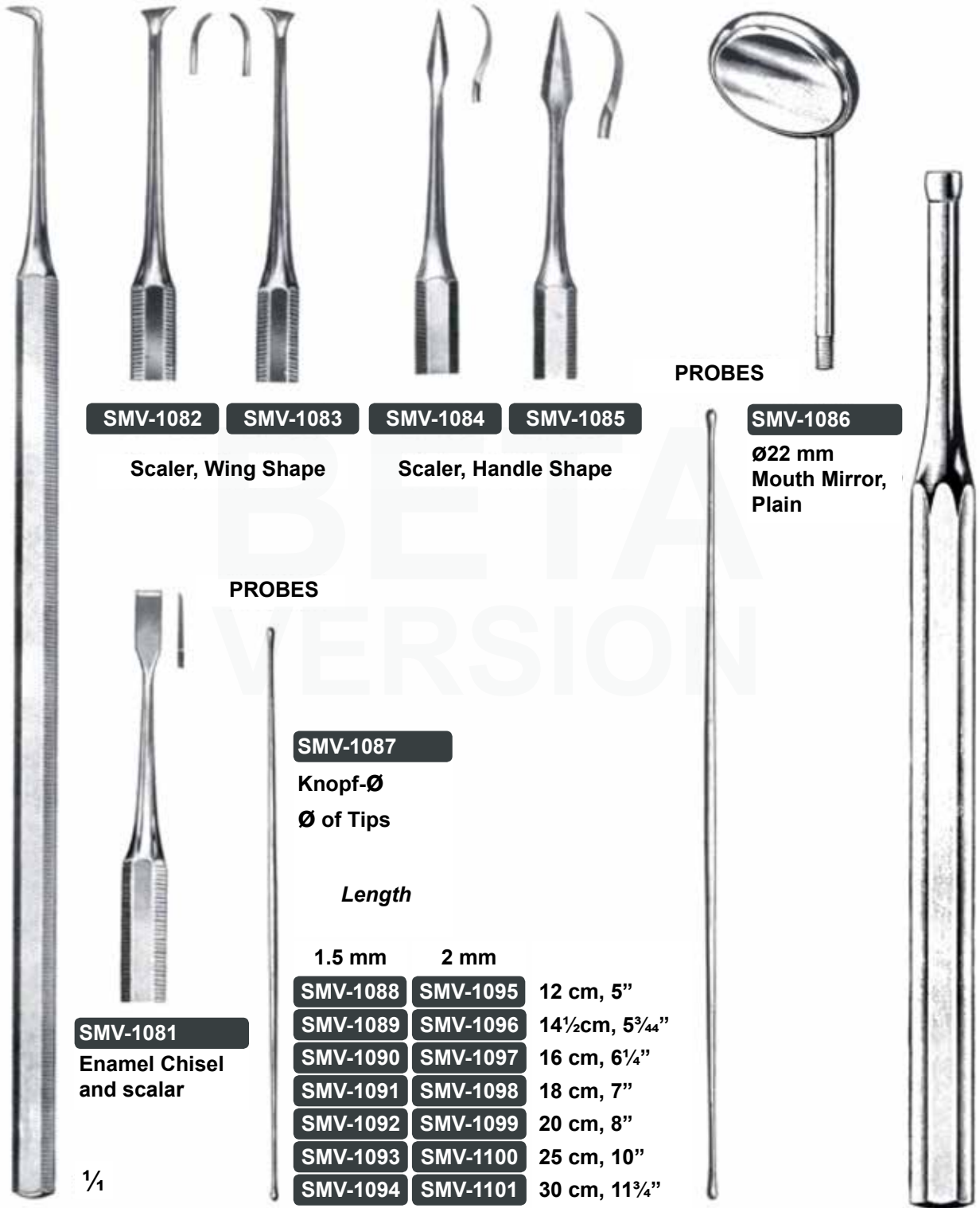
1/4

SMV-1079

**Tooth Forceps for Whelps
and other small animals,
Slightly bent
Stainless Steel Handle**



1/4



SMV-1082 **SMV-1083** **SMV-1084** **SMV-1085**
Scaler, Wing Shape **Scaler, Handle Shape**

PROBES
SMV-1086
Ø22 mm
Mouth Mirror,
Plain

SMV-1081
Enamel Chisel
and scalar

PROBES

SMV-1087
Knopf-Ø
Ø of Tips

Length

	1.5 mm	2 mm	
SMV-1088	SMV-1095	12 cm, 5"	
SMV-1089	SMV-1096	14½cm, 5¾"	
SMV-1090	SMV-1097	16 cm, 6¼"	
SMV-1091	SMV-1098	18 cm, 7"	
SMV-1092	SMV-1099	20 cm, 8"	
SMV-1093	SMV-1100	25 cm, 10"	
SMV-1094	SMV-1101	30 cm, 11¾"	

SMV-1080
Scaler, Hook Shape

SMV-1102
A. 25 cm, 10"
B. 30 cm, 11¾"
Tin, Malleable

SMV-1103
Handle for
Mouth Mirror



Mayo-Hegar (Plain)

- SMV-1104** 15 cm, 6"
- SMV-1105** 18 cm, 7"
- SMV-1106** 20 cm, 8"

Stainless Steel

Medium fine Patterns

T/C Gold

- SMV-1107** 6"
- SMV-1108** 7"
- SMV-1109** 8"

Mayo-Hegar

- SMV-1110** 17 cm, 6"
- SMV-1111** 20 cm, 8"
- SMV-1112** 24 cm, 9"

Stainless Steel

T/C Gold

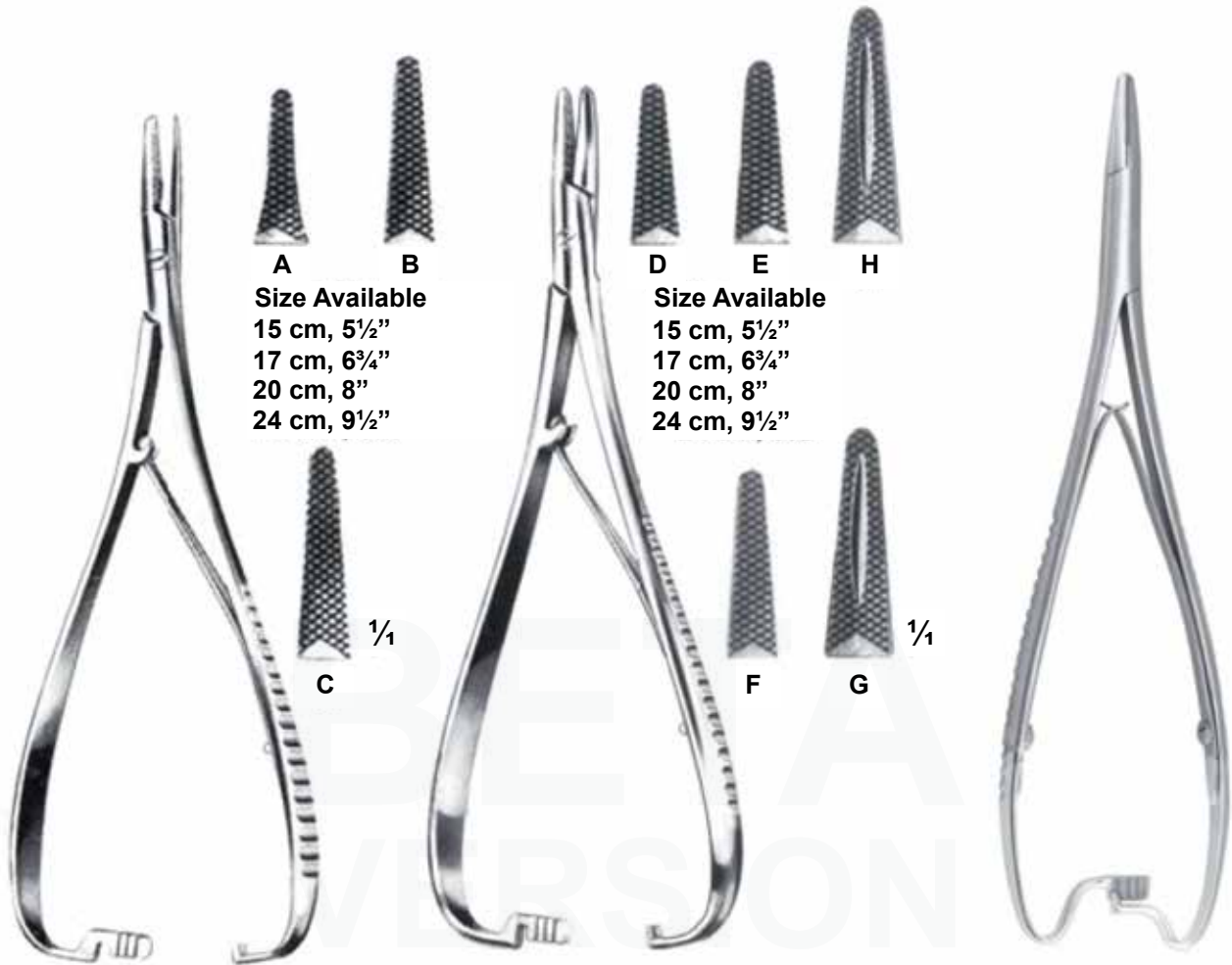
- 6³/₄"
- 8"
- 9¹/₂"

Heavy Patterns

Ermold

- SMV-1113** 17 cm, 6³/₄"
- SMV-1114** 20 cm, 8"

Stainless Steel



SMV-1115

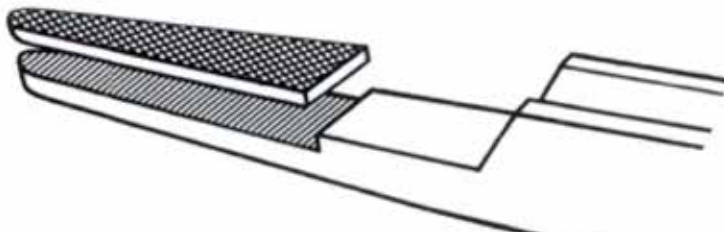
**Mathieu Needle Holder
Delicate Pattern,
with important German
carbide tips inserted
golden handle, our special
product.
guaranteed
stainless steel**

SMV-1116

**Mathieu Needle Holder
Standard Pattern,
with important German
carbide tips inserted
golden handle, our speciality,
guaranteed
stainless steel**

Mathieu

- SMV-1117** 18 cm, 7"
- SMV-1118** 20 cm, 8"
- SMV-1119** 24 cm, 9½"



Mathieu (with out T/C)

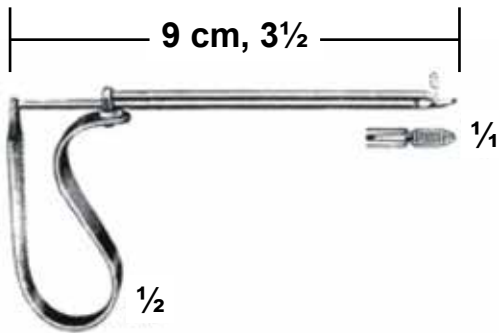
- SMV-1120** 14 cm, 5½"
- SMV-1121** 17 cm, 6¾"
- SMV-1122** 20 cm, 8"
- SMV-1123** 24 cm, 9½"

Mathieu (with T/C)

- SMV-1124** 14 cm, 5½"
- SMV-1125** 17 cm, 6¾"
- SMV-1126** 20 cm, 8"
- SMV-1127** 24 cm, 9½"

5 Years Guarantee

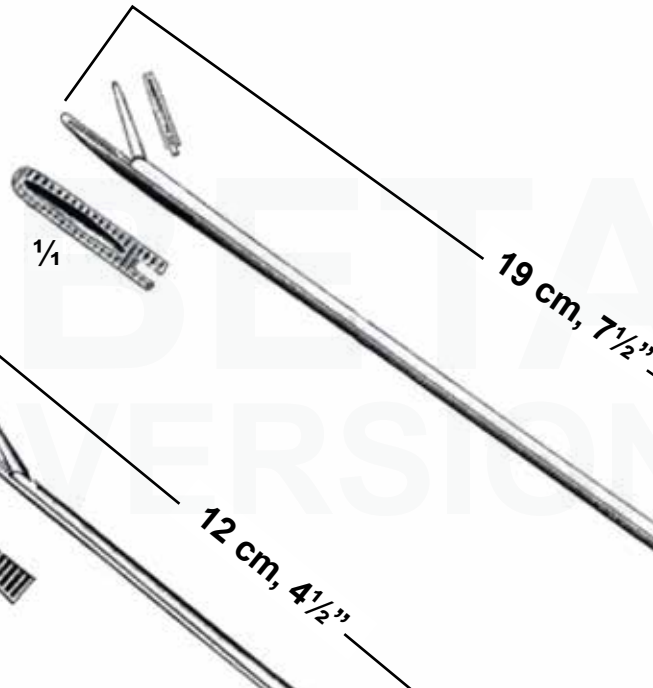
(Foreign Body Instruments)



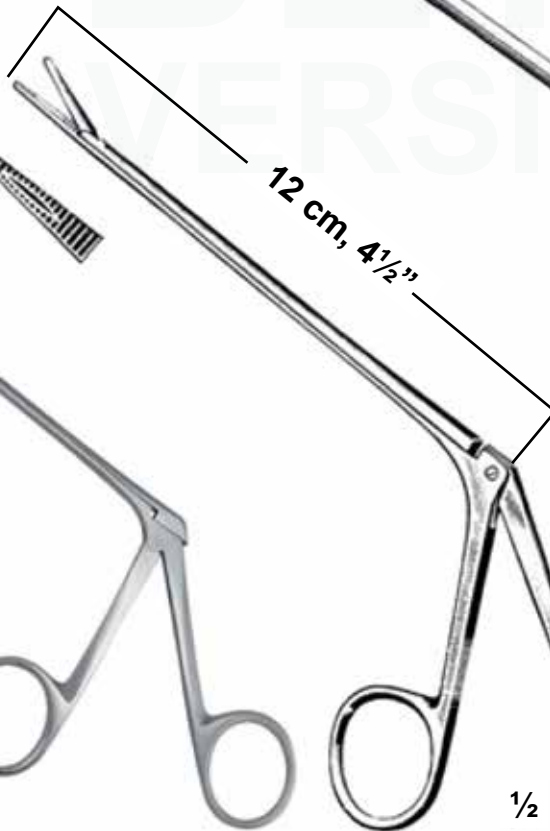
SMV-1128
Quire
Lever for foreign bodies



SMV-1129
Hartmann
Delicate Pattern



SMV-1131
Hartmann
Heavy Pattern



SMV-1130
Hartmann
Standard Pattern



SMV-1132
Mathieu
Standard Pattern



Colporrhaphy & Vulva Sutures



SMV-1133
Gerlach
18 cm, 7"

SMV-1134
Reverdin
19½ cm, 7¾

SMV-1135

SMV-1136

SMV-1137

SMV-1138



1/5

SMV-1139
Schulze
for horse and cattle



1/6

SMV-1140
Gunther Hepke
4 1/2" Distance 11cm
our special quality
(very popular model)



1/3

SMV-1141
Bayer
for horses and cattle



SMV-1142
Mouth Gags
10 1/2" cm, 4 1/8"
15 cm, 6"
Stainless Steel



SMV-1143
Mouth Gags
10 1/2" cm, 4 1/8"
15 cm, 6"
Stainless Steel
Latest new pattern



1/3

SMV-1144
Schoupe
2 3/4" Distance
Encartrement
7 cm,
Stainless Steel

Nose Pincer (Bull-Temper)

Bull Holders

Nose Pincer (Bull Tamer)



SMV-1145
11 cm, 4¼"



SMV-1146
16½ cm, 6½"



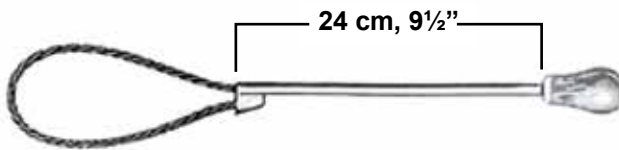
SMV-1147
18½ cm 7¼"



SMV-1148
Harms
18½ cm, 7¼"
Forged Steel



SMV-1149
43½ cm 17"



SMV-1150
Nuesch
Pig Paralysers for holding pigs
for inoculation



SMV-1151
Wire nose pig holder for inoculation,
rope approx, 58 cm long



SMV-1152
Nose Ring
Nickel-Plated,
57 mm inside diameter

1/4



SMV-1154
Nose Ring
Polished steel, Nickel-Plated
2" inside diameter.
with safety screw

1/2



SMV-1153
Strub

1/2



SMV-1155
Frank
16 1/2 cm, 10 1/2"
Bull Nose Punch

1/3



SMV-1156
Bull Nose Punch
for bull rings with
57mm inside diameter
31 cm, 12 1/4"

1/3



SMV-1157
Strub
24 cm, 9 1/2"
Anti-crib
Biter and
applicator

1/3

SMV-1158
Nose rings
for pigs,
29mm inside
diameter



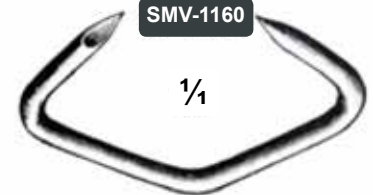
1/1

SMV-1159



1/1

SMV-1160



1/1

SMV-1161



1/1

Applicators

Nose Rings
For Pigs
Packaged in a Box



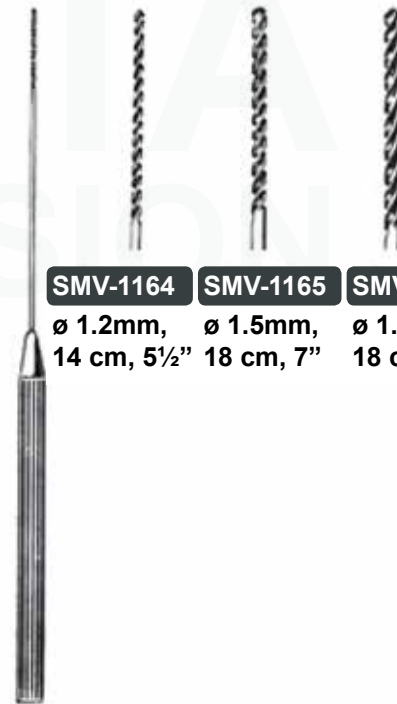
SMV-1162
Applicator
26 cm, 10 1/4"
(Forged Steel)
For nose rings
for pigs

1/2



SMV-1163
Applicator
17 cm, 6 3/4"
Lacquered,
for nose rings
for pigs

1/2



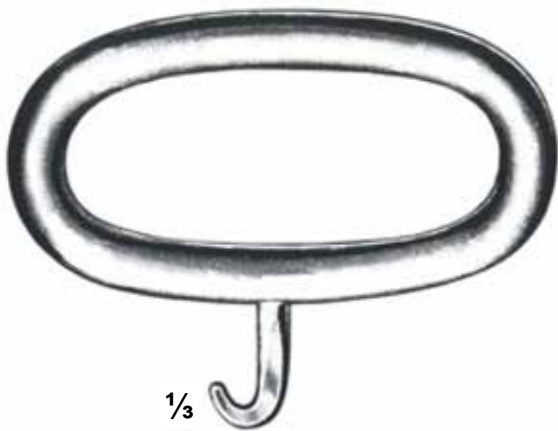
SMV-1164 **SMV-1165** **SMV-1166**
ø 1.2mm, ø 1.5mm, ø 1.8mm,
14 cm, 5 1/2" 18 cm, 7" 18 cm, 7"

Grasping Forceps
in stainless steel



SMV-1167
Hoffman
19 cm, 7 1/2"
Shears for cutting
off heads of small
animals

1/3



1/3
SMV-1168
Obstetrical Chain
Handle



SMV-1170
Rope Carriers
Light Pattern

1/3



SMV-1171
Rope Carriers
Strong Pattern

1/3



SMV-1169
European Pattern
Sand wire carrier Screw inside
Stainless steel

Obstetric Chains



SMV-1174
80 cm, 31½"
Nickel Plated



SMV-1175
190 cm, 75"
Nikel Plated



SMV-1172
Krey-Schottler
21 cm, 8¼"

1/3



SMV-1173
Krey-Schottler
21 cm, 8¼"
(Kocher)

1/3



SMV-1176
Linde
10½ cm, 4¼”
Finger Knife

½



Special Bayonet Lock



⅛

SMV-1177
Kuhn
84 cm, 33”
Obstetric Crutch



⅓

SMV-1178
Obstetric Forceps
20 cm, 8”
For Whelps, Danish
Pattern



¼

SMV-1179
Witt
52 cm, 20½”
Obstetric forceps
for Pigs

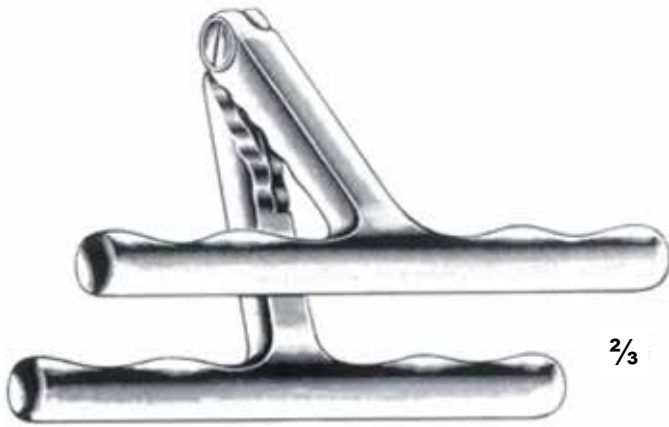
1.Pair of Rubber Pads



⅓

SMV-1180
Uterine Elevating Forceps
28 cm, 11”
Curved sideways, with
inserted serrated rubber jaws,
used as clamping forceps for
perforation of the vagina.
This forceps can also be used
for caesarean section.

SMV-1181
Spare Rubber for
Uterine Elevating Forceps



SMV-1182

Jacks Handle
Folding Handle for saw wire
Stainless Steel

2/3



SMV-1183

Swedish Wire Handle
Stainless Steel



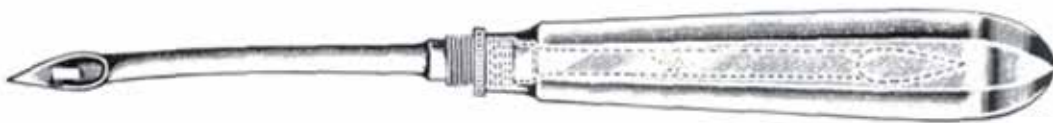
SMV-1184

Obstetric Handle with Chain



SMV-1185

Hausmann
Horse Mouth Gags superior quality with one pair mouth plates grooved for use when dealing with molars, and one pair mouth plates flat, leather straps, Made in Stainless Steel (Our very Popular and well known item in the world)



1/2

SMV-1186

Flessa Needle
With Hard Point two pieces hollow
Stainless Steel Handle



SMV-1187

Hollow
Stainless Steel Handle



SMV-1188

Needle with Eye
Made of Stainless Steel

Eyehooks

Double Obstetric Hooks



SMV-1189
Ostertag
6½ cm, 2½"
Blunt



SMV-1190
Harms
8 cm, 3⅛"
Blunt



SMV-1191
Harms
8 cm, 3⅛"
Sharp



SMV-1192
Ruggeberg
14 cm, 5½"



SMV-1193
Vienna Pattern
14 cm, 5½"



SMV-1194
Obstetric Hook
For pig, in size 43 cm & 77 cm available in Sharp/Blunt
(Our fast moving item)



SMV-1195
Hospital Household Paper Scissors
Heavy Pattern German Type, bright finish
available in Sharp/Blunt.
(Our fast moving item)
Size 6", 7", 8", 9", 10"

Scalpels

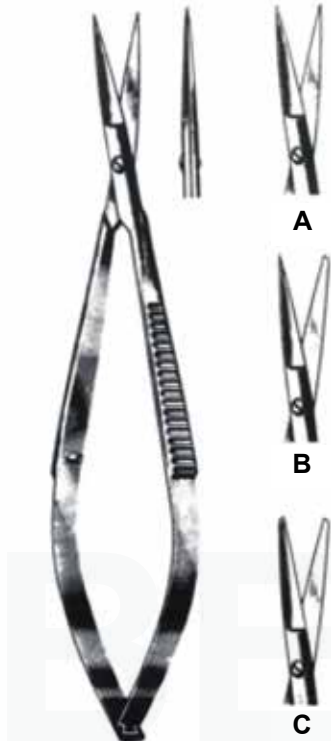


SMV-1199
Stainless Steel

SMV-1200
Stainless Steel

1/4

1/4



SMV-1196
Noyes
12 cm, 4 1/2"

SMV-1197
13 cm, 5"
Straight

SMV-1198
13 cm, 5"
Curved

Trichinosis Scissors



SMV-1201
Razor
Plastic Handle
Stainless Steel Blade



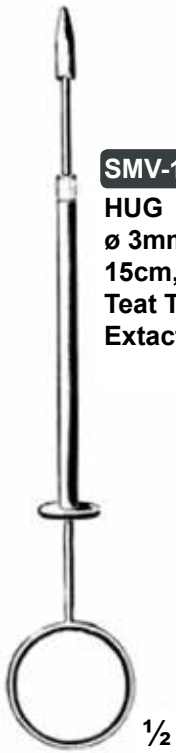
SMV-1202
11 cm, 4 1/4"
Straight/Curved

1/2



SMV-1203
13 cm, 5"

1/2



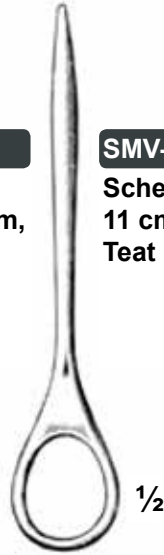
SMV-1204
HUG
ø 3mm
15cm, 6"
Teat Tumor
Extactor

1/2



SMV-1205
Paimans
ø 4mm'13 cm,
5"
Teat Dilator

1/2



SMV-1206
Schecker
11 cm, 4 1/2"
Teat Dilator

1/2



SMV-1207
Ullner
Teat Curette
17 cm, 6 3/4"

1/1



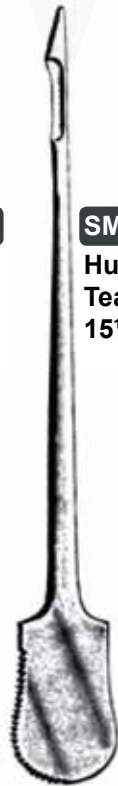
SMV-1208
Teat Slitter
French Pattern
10 cm, 4"

1/2



SMV-1209
Hug
Teat Lancet
14 1/2 cm, 5 3/4"

1/2



SMV-1210
Hug
Teat Lancet
15 1/2 cm, 6 1/2"

1/2



SMV-1211
Teat Slitter
Danish Pattern
18 cm, 7"

1/2

Microscopic Forceps (Fine Point)



SMV-1212
10 1/2 cm, 4 1/4"
SMV-1213
13 cm, 5"
SMV-1214
14 1/2 cm, 5 3/4"
Straight



SMV-1215
10 1/2 cm, 4 1/4"
SMV-1216
13 cm, 5"
SMV-1217
14 1/2 cm, 5 3/4"
Curved

Instrument for Meat Inspection



SMV-1218
13 cm, 5" $\frac{1}{2}$

SMV-1219
13 $\frac{1}{2}$ cm, 5 $\frac{1}{4}$ " $\frac{1}{2}$

SMV-1220
13 cm, 5" $\frac{1}{2}$

SMV-1221
13 cm, 5" $\frac{1}{2}$

A. Plastic Handle
B. Wooden Handle

Stainless Steel Handle

Wire Cutters



SMV-1222
12 cm, 4 $\frac{3}{4}$ " $\frac{1}{2}$
For Soft Bone Wire

SMV-1223
Universal Scissor
12cm, 4 $\frac{3}{4}$ " $\frac{1}{2}$
For Soft Bone Wire

Clip Applying Forceps



Clip Applying
& Removing
Forceps

SMV-1224
Michel
12 $\frac{1}{2}$ cm, 5" $\frac{1}{2}$

SMV-1225
Michel
13 cm, 5" $\frac{1}{2}$

SMV-1226
Collin
13 $\frac{1}{2}$ cm, 5 $\frac{1}{4}$ " $\frac{1}{2}$

SMV-1227
Michel
12 $\frac{1}{2}$ cm, 5" $\frac{1}{2}$

SMV-1228
Hegenbarth
12 $\frac{1}{2}$ cm, 5" $\frac{1}{2}$

All Stainless Steel

Scalpel Handle Interchangeable Blades





SMV-1235
Gunther
Tooth Forceps for Large Animals



$\frac{1}{3}$ **SMV-1236**
Tooth Rasp
55 cm, 22"
With Interchangeable Blade
Single Piece



SMV-1237
Tooth Rasp
For Lower Jaws with Interchangeable
Blades, Rasp Surface on one side and
the file on another side, Folding
(Two Pieces) Straight or Bended



$\frac{1}{2}$ **SMV-1238**
Forcep for Trimming Teeth

BETA
VERSION



BETA
VERSION

SMV-1239

Molar Forceps
48cm, Serrated, Short Jaw
Box Joint, Stainless Steel
with Knurled Handles

SMV-1240

Molar Forceps
48cm, Conclave, Long Jaw
Box Joint, Stainless Steel
with Knurled Handles

SMV-1241

Molar Forcep
46cm, Short Jaw, Box Joint
Stainless Steel with
Knurled Handles



SMV-1242
Molar Forcep
48cm, Three Root,
Box Joint, "Off Side"
Stainless Steel
With Knurled Handles



SMV-1243
Molar Forcep
48cm, Three Root,
Box Joint, "On Side"
Stainless Steel
With Knurled Handles



SMV-1244
Molar Forcep
48cm, Molar Spreader
Box Joint, Stainless Steel
with Knurled Handles



SMV-1245
Extractor Reynolds Style
43cm, Heavy Model



SMV-1246
Extractor Reynolds Style
43cm, Heavy Model
Lower

SMV-1248
Lower Molar Cutter
56cm, Simple Joint
Hardened, Stainless Steel
Slightly Opened Head

SMV-1247
Lower Molar Cutter
56cm, Simple Joint, Hardened
Stainless Steel

SMV-1249
Tooth Forcep
25cm, Incisor and
Canine Cutter



SMV-1250 11½ cm, 4½"
SMV-1251 15½ cm, 6⅛"

*Ear clamps for docking,
Curve, of light metal.*



SMV-1252 15½ cm, 6⅛"

*Ear clamps for dogs,
Strait, of light metal.*

Instruments for Dog's Care

All Stainless Steel



SMV-1253
17 cm, 6¾"
Scissor



SMV-1254
13 cm, 5"
16 cm, 6¼"
Scissor



SMV-1255
17 cm, 6¾"
Curved on Flat
Scissor



SMV-1256
17 cm, 6¾"
Straight
Scissor



SMV-1257
6", 6½", 7", 7½"
Thinning Scissor



SMV-1260
Doyen Clamp
for the operation to correct dog's ears
Straight/Curved



SMV-1258
Cattle Clippers
Narrow Toothed



SMV-1259
Cattle and Dog Clippers
Strong Model, Wide Toothed



SMV-1261
Sheep Shear
A. Large Size 14"
B. Small Size 12"

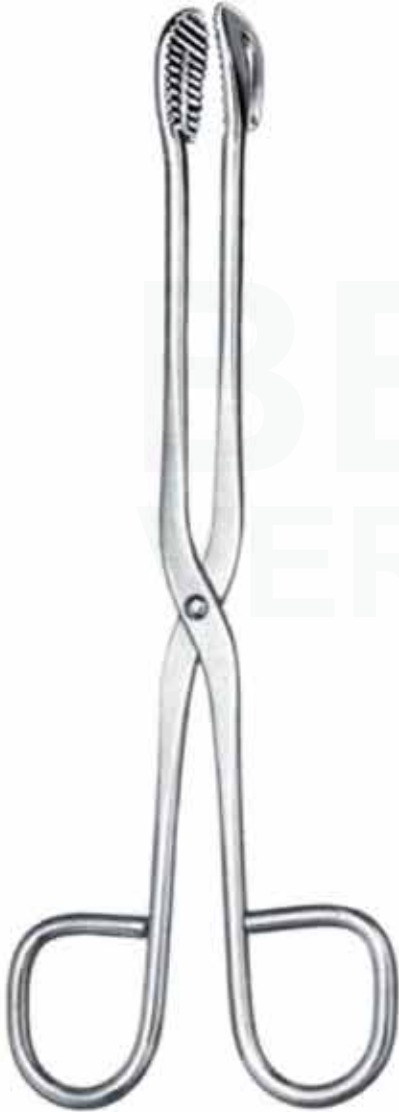


SMV-1262
Hoof Shears
For Sheep 8", 9", 9½"
Available in several Models
Straight of side curved



SMV-1263

**Sterilizing Tweezers,
For Picking-up
Syringes or Cannula**
A. 16 cm, 6¼"
B. 22½ cm, 8¾"



SMV-1264

A. 20 cm, 8"
B. 30 cm, 12"



SMV-1265

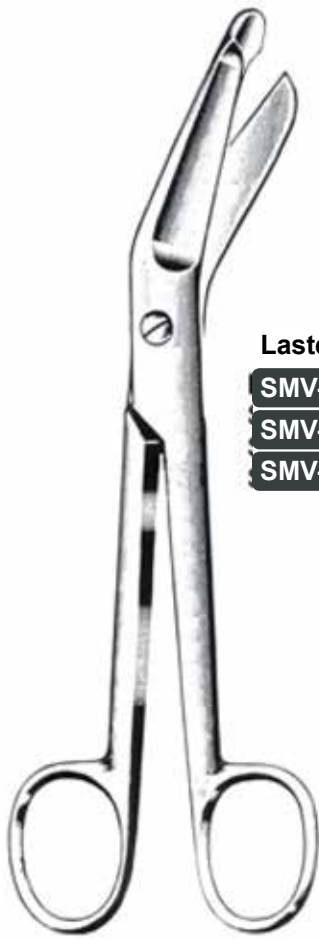
**Forcep With
Interlocking Jaws**
A. 20 cm, 8"
B. 30 cm, 12"



SMV-1266

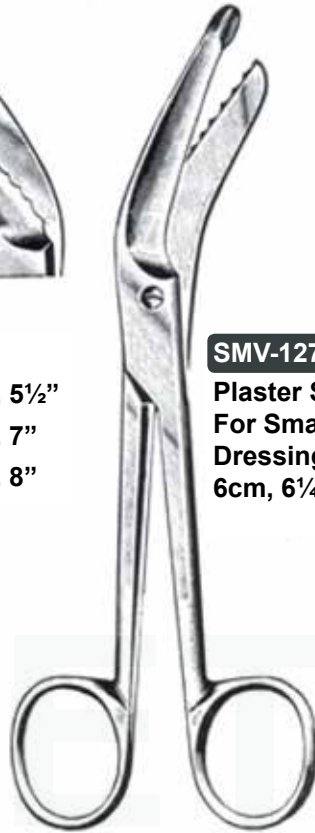
**Rogge
Sterilizing Forcep**
23½ cm, 9½"

1/2



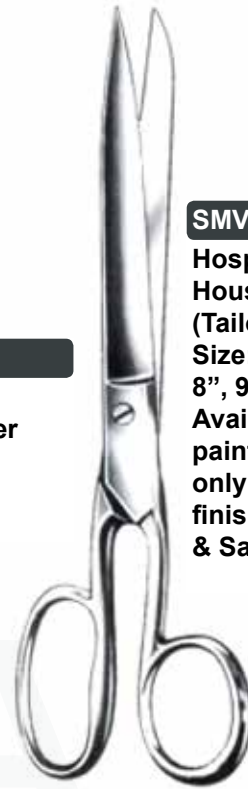
Laster

- SMV-1267** 14 cm, 5½"
- SMV-1268** 18 cm, 7"
- SMV-1269** 20 cm, 8"



SMV-1270

**Plaster Scissor
For Small Plaster
Dressings
6cm, 6¼"**



SMV-1271

**Hospital
Household Paper
(Tailor) Scissor
Size: 6", 7",
8", 9", 10"
Available in black
painted handle or
only in plain bright
finish
& Satin Finish**



SMV-1272

**Richter
14½ cm, 5¾"
Laterally Angled**



SMV-1273

**16 cm, 6¼"
Laterally Curved**



SMV-1274

**16 cm, 6¼"
Heavy Pattern**



SMV-1275

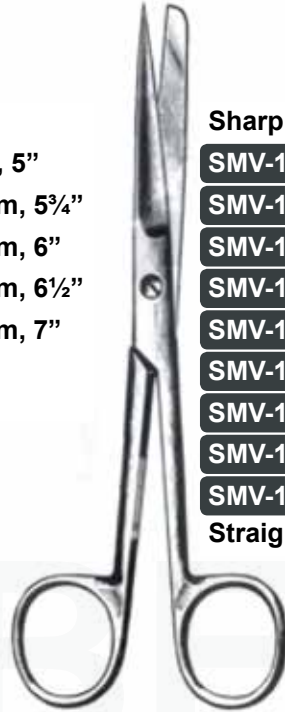
**16 cm, 6¼"
18 cm, 7"
Curved on Flat
Heavy Pattern**



Blunt / Blunt

- SMV-1276** 13 cm, 5"
- SMV-1277** 14½ cm, 5¾"
- SMV-1278** 15½ cm, 6"
- SMV-1279** 16½ cm, 6½"
- SMV-1280** 17½ cm, 7"

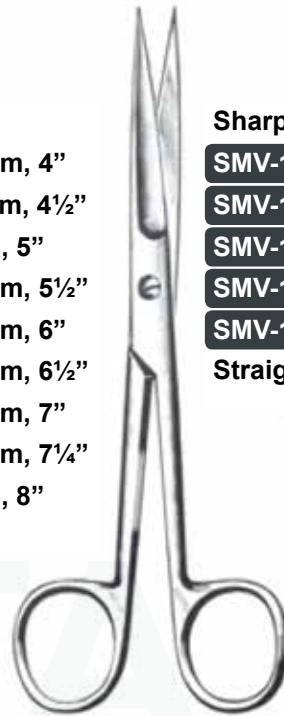
Straight / Curved



Sharp / Blunt

- SMV-1281** 10½ cm, 4"
- SMV-1282** 11½ cm, 4½"
- SMV-1283** 13 cm, 5"
- SMV-1284** 14½ cm, 5½"
- SMV-1285** 15¼ cm, 6"
- SMV-1286** 16½ cm, 6½"
- SMV-1287** 17½ cm, 7"
- SMV-1288** 18½ cm, 7¼"
- SMV-1289** 20 cm, 8"

Straight / Curved



Sharp / Sharp

- SMV-1290** 11½ cm, 4½"
- SMV-1291** 13 cm, 5"
- SMV-1292** 14½ cm, 5¾"
- SMV-1293** 15¼ cm, 6"
- SMV-1294** 16½ cm, 6½"

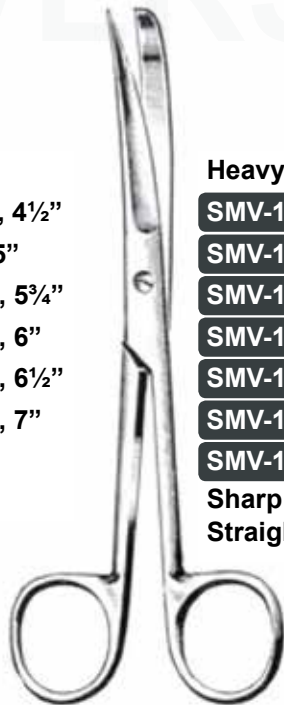
Straight / Curved



Heavy Pattern

- SMV-1295** 11½ cm, 4½"
- SMV-1296** 13 cm, 5"
- SMV-1297** 14½ cm, 5¾"
- SMV-1298** 15¼ cm, 6"
- SMV-1299** 16½ cm, 6½"
- SMV-1300** 17½ cm, 7"

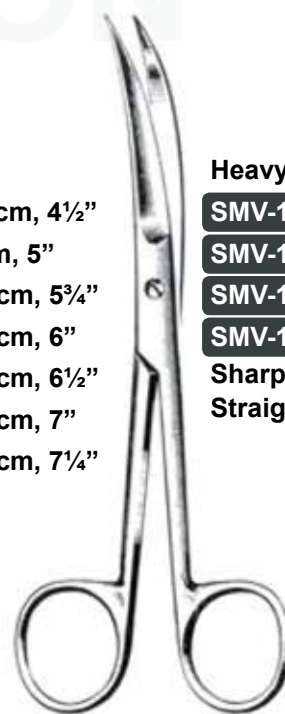
Straight / Curved



Heavy Pattern

- SMV-1301** 11½ cm, 4½"
- SMV-1302** 13 cm, 5"
- SMV-1303** 14½ cm, 5¾"
- SMV-1304** 15¼ cm, 6"
- SMV-1305** 16½ cm, 6½"
- SMV-1306** 17½ cm, 7"
- SMV-1307** 18½ cm, 7¼"

**Sharp / Blunt
Straight / Curved**



Heavy Pattern

- SMV-1308** 11½ cm, 4½"
- SMV-1309** 13 cm, 5"
- SMV-1310** 14½ cm, 5¾"
- SMV-1311** 15¼ cm, 6"

**Sharp / Sharp
Straight / Curved**



Incision Scissor

- SMV-1312** 13 cm, 5"
 - SMV-1313** 14½ cm, 5¾"
 - SMV-1314** 16½ cm, 5½"
- Straight / Curved



Mayo

- SMV-1315** 14 cm, 5½"
 - SMV-1316** 15 cm, 6"
 - SMV-1317** 17 cm, 6¾"
- Straight



Mayo

- SMV-1318** 14 cm, 5½"
 - SMV-1319** 15 cm, 6"
 - SMV-1320** 17 cm, 6¾"
- Curved



Metzenbaum

- SMV-1321** 16½ cm, 5¾"
 - SMV-1322** 19½ cm, 7"
 - SMV-1323** 21 cm, 8"
- Straight / Curved



SMV-1324
Utility Scissor
18 cm, 7"



SMV-1325
Baby Utility Scissor
14 cm, 5½"



SMV-1326
Iris Scissor
11½ cm, 4½"

Note: We are also making utility scissors with plastic handles for all purposes in size 4", 4½"



SMV-1327
9 cm, 3½"
Straight / Curved

SMV-1328
10¾ cm, 4¼"
Straight / Curved

SMV-1329
13¼ cm, 5½"
Straight / Curved

SMV-1330
11½ cm, 4½"
With 1 Probe Pointed Blade



SMV-1331
Micro Adson
12 cm, 4³/₄"



Standard

- SMV-1337** 11¹/₂ cm, 4¹/₂"
- SMV-1338** 13 cm, 5"
- SMV-1339** 14¹/₂ cm, 5³/₄"
- SMV-1340** 16 cm, 6¹/₄"
- SMV-1341** 18 cm, 7"
- SMV-1342** 20 cm, 8"
- SMV-1343** 25 cm, 10"
- SMV-1344** 30 cm, 12"



Tissue Forceps
1 + 2 Teeth

- SMV-1345** 11¹/₂ cm, 4¹/₂"
- SMV-1346** 13 cm, 5"
- SMV-1347** 14¹/₂ cm, 5³/₄"
- SMV-1348** 16 cm, 6¹/₄"
- SMV-1349** 18 cm, 7"
- SMV-1350** 20 cm, 8"
- SMV-1351** 25 cm, 10"
- SMV-1352** 30 cm, 12"



SMV-1357
Adson
(Standard)
A. 12 cm, 4³/₄"
B. 1 x 2 Length
12 cm, 4³/₄"



Crushing Delicate

- SMV-1354** 18 cm, 7"
- SMV-1355** 20 cm, 8"
- SMV-1356** 25 cm, 10"



Very Delicate

- SMV-1332** 9 cm, 3¹/₂"
- SMV-1333** 10¹/₂ cm, 4¹/₄"
- SMV-1334** 11¹/₂ cm, 4¹/₂"
- SMV-1335** 13 cm, 5"
- SMV-1336** 14¹/₂ cm, 5³/₄"

Note: We are also making Micro Instruments.
We Welcome your inquiries.



SMV-1357
Chalazion Forcep
Desmarres
9 cm, Fig.2



SMV-1358
Nictitating
Membrane
Forcep Stades
9.5 cm



SMV-1359
Teachom
Roll Forcep
Knapp
11 cm



SMV-1360
Graefe Fixation Forcep
11cm, With Splint



SMV-1361
Graefe Fixation Forcep
11cm, With Lock



SMV-1362
Hess
6.5 cm
Double Curved



SMV-1363
Gill Arruga
7.5 cm



SMV-1364
Castroviejo
10 cm



SMV-1366
Tuebingen
10 cm



SMV-1367
Arruga
10 cm



SMV-1368
Utrata Titanium
10 cm

SMV-1365
Castroviejo
10cm
Teeth: 0.5 mm



SMV-1369
Graefe Iris Forceps
10cm
Straight
Serrated



SMV-1370
Graefe Iris Forceps
10cm
Curved
Serrated



SMV-1371
Graefe Iris Forceps
10cm
Straight
1x2 Teeth



SMV-1372
Graefe Iris Forceps
10cm
Curved
1x2 Teeth



SMV-1373
Iris Forcep Hess
7 cm



SMV-1374
Iris/Suture Forceps
Barraquer-Katzin
7 cm
Teeth: 0.12 mm / 90°



SMV-1375
Iris Forceps
Bishop Harmon
8.5 cm
1x2 Teeth



SMV-1376
Capsule Forceps
Fuchs
7cm



SMV-1377
Iris Forceps
Castroviejo
10cm
Straight / Curved



SMV-1378
Corneal Scissor
Castroviejo
10cm
Right, Curved



SMV-1379
Corneal Scissor
Castroviejo
10 cm
Left, Curved



SMV-1380
Tuebingen
8.5 cm
Sharp, Curved



SMV-1381
Castroviejo
Needle Holder
14cm
Straight, With Ratchet



SMV-1382
Barraquer Troutman
11 cm
Curved, Round Handle
without Ratchet



SMV-1383
Boynton
12 cm
Straight, TC



SMV-1384
Rongeur Beyer
18 cm
Curved, Compound Action



SMV-1385
Schneidemann
15 cm
Laterally Curved, Compound Action



SMV-1386
Lure
14 cm
Curved



SMV-1387
Boehler
15 cm Straight
Compound Action



SMV-1388
Boehler
15 cm Curved
Compound Action



SMV-1389
Meniscal Forcep
13 cm



SMV-1390
Meniscal Knife
13 cm



SMV-1391
Ferris Smith
18 cm, 2 mm Shank
40° Upward Cutting Jaw



SMV-1393
Bone Holding Forcep
For Bone Screw
15 cm



SMV-1392
Bone Holding Forcep
13.5 cm



SMV-1394
Setter Reduction Forcep
24 cm, with Serrated Jaws
and Spin Lock



SMV-1395
Bone Holding Forcep
15 cm
Angled Jaw



SMV-1396
Kern Mini
17 cm
with Ratchet



SMV-1397
Kern Mini
17 cm
Modified for small
bones with Ratchet



SMV-1398
Bone Holding Forceps
15 cm
with Spin Lock



SMV-1399
Bone Cutting Forceps
17 cm



SMV-1400
Pin Cutter
21.5 cm T/C
for Hard Wire Up to
D=2.2mm



SMV-1401
Pin Cutter
22 cm T/C
for Soft Wire Up to D=3.5mm
for Hard Wire Up to D=2.5mm



SMV-1402
Plate & Wire Cutter
Up to D=3.5mm

K-Wire Cutter Hercules
Approved Transmission of Power. Rubber Jaws
Keep the pin ends together after cutting
 - Over 40% less power required
 - Exchangeable TC-Blades and rubber Jaws



SMV-1403
Hercules
 23 cm T/C
 For Pins Up to D=3mm



SMV-1404
Hercules
 18 cm T/C
 For Pins Up to D=2.2mm

Flessa Pins



SMV-1405
 40 mm



SMV-1406
 50 mm



SMV-1407
 65 mm

Specula for Small Animals, For Vaginal and Rectal Examination



SMV-1409

Hartman
14 1/2 cm, 5 3/4"

Available in
Stainless Steel
or Chrome Plated

1/2

SMV-1410

Killan
14 cm, 5 1/2"

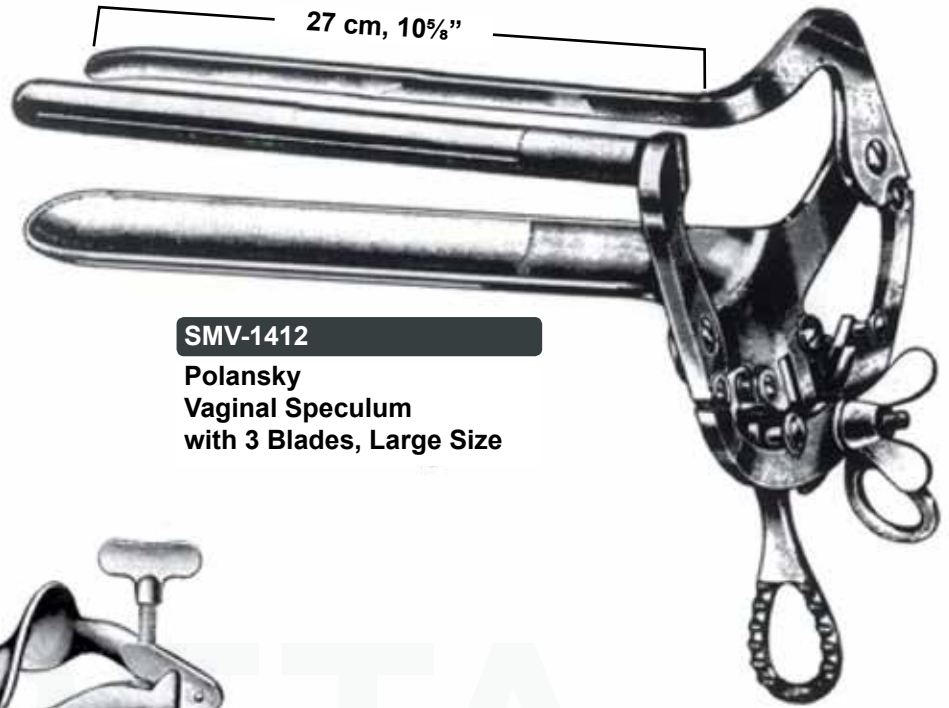
SMV-1411

Sims
15 1/2 cm, 6 1/8"

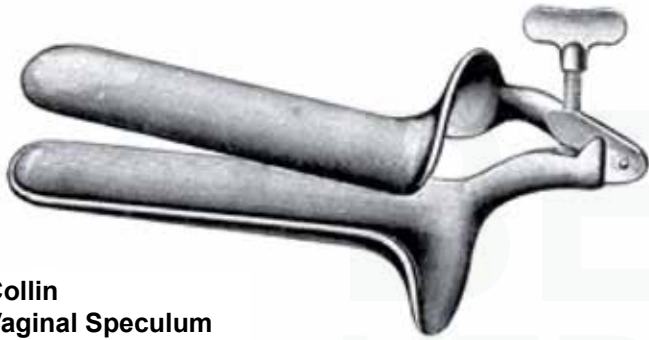
Available in Stainless Steel
or Chrome Plated

SMV-1408
Sims 15 1/2 cm, 6 1/8"

With Fixing Screw



SMV-1412
Polansky
Vaginal Speculum
with 3 Blades, Large Size



Collin
Vaginal Speculum

	A	B
	mm	mm
SMV-1413	85	25 S
SMV-1414	100	35 M
SMV-1415	110	40 L



SMV-1416
Polansky
Vaginal Speculum Large Size

Bright or Satin Finish



**Grave
Vaginal Speculum**
SMV-1417 Small
SMV-1418 Medium
SMV-1419 Large
 Bright or Satin Finish



**CUSCO
Vaginal Speculum
Central Screw**
SMV-1420 Small
SMV-1421 Medium
SMV-1422 Large
 Bright or Satin Finish



SMV-1423
**Russian Pattern
Vaginal Speculum**
 Bivalve, with Handle
 Heifer Size, Overall Length 28 cm, 11"
 Stainless Steel



SMV-1424
**Russian Pattern
Vaginal Speculum**
 Bivalve, with Handle
 Cow Size, Overall Length
 35 cm 13³/₄"
 Stainless Steel

Note: Our factory can make any type of special vaginal speculum for your special requirements.



SMV-1425
Laryngoskope
Packed in a Case.



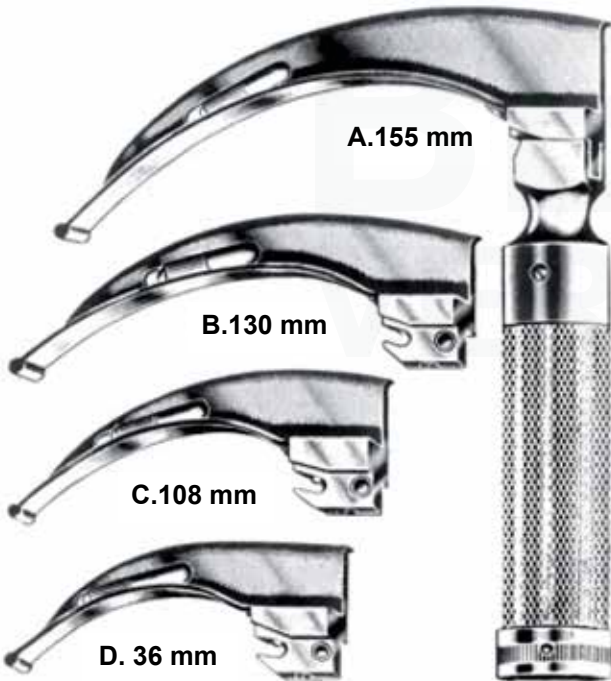
SMV-1426
Otoscope Set Economy
3 Specula's with
D=0.4 / 0.5 / 0.6 mm
Length: 4.5 cm,
Handle with Battery



SMV-1427
Set of 3 Pieces
(D=4.6 and 9 mm)

SMV-1428
Veterinary Long Cannula
D=9 mm Length:61mm

Diagnostic Set & Accessories



A.155 mm

B.130 mm

C.108 mm

D. 36 mm

SMV-1429
Mcintosh
English Pattern

Complete with ball lock, consisting of batter handle. (without batter)
4 Spatulas fix lamp-socket packed in very attractive case, our product with guarantee.



SMV-1430
Otoscope Set
Otoscope set in case, consisting of otoscope 3 ear specula and medium battery handle. our hot selling item.

Note: Also Available in Fiber Optic



SMV-1431
Torsion Fork
with fixation bar
Stainless Steel



SMV-1432
Embryotomy Obstetric Instruments
(A) Divisible Embryotomy Model
(B) Divisible Wires Thread Needle
(C) Embryotomy Cleaning Brush



SMV-1433
Brinths Teat Knife
With Folding Handles
Stainless Steel



SMV-1434
Plums Infusion Cannula
Available in
Following Sizes
6.0 x 90 mm,
2.4 x 80 mm,
3.0 x 80 mm,
Stainless Steel



SMV-1435

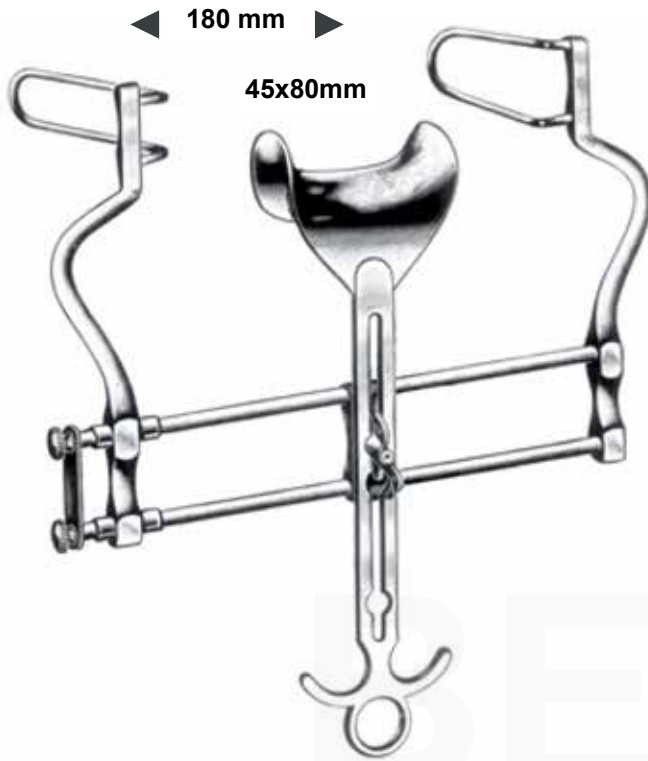
Nail Cutter
13½ cm, 5¼”
Stainless Steel

SMV-1436

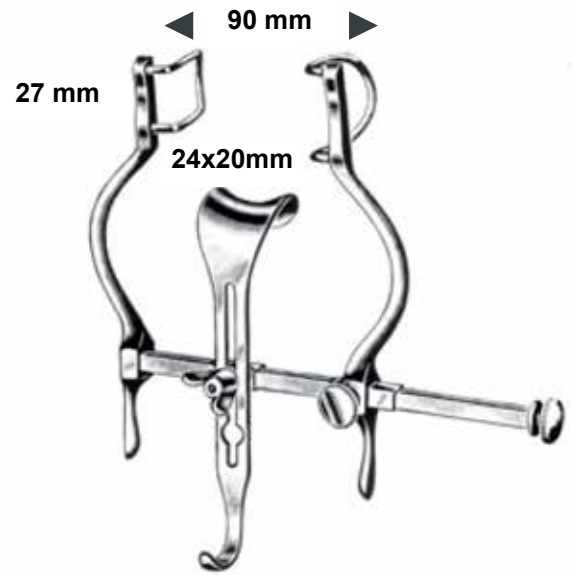
Nail Cutter
A. 13 cm, 5”
B. 14½ cm, 5¾”
Stainless Steel

Nail Scissors

SMV-1337 9 cm, 3½”
SMV-1338 10 cm, 4”
SMV-1339 11 cm, 4¾”
Curved in Flat



SMV-1440
Balfour Retractor



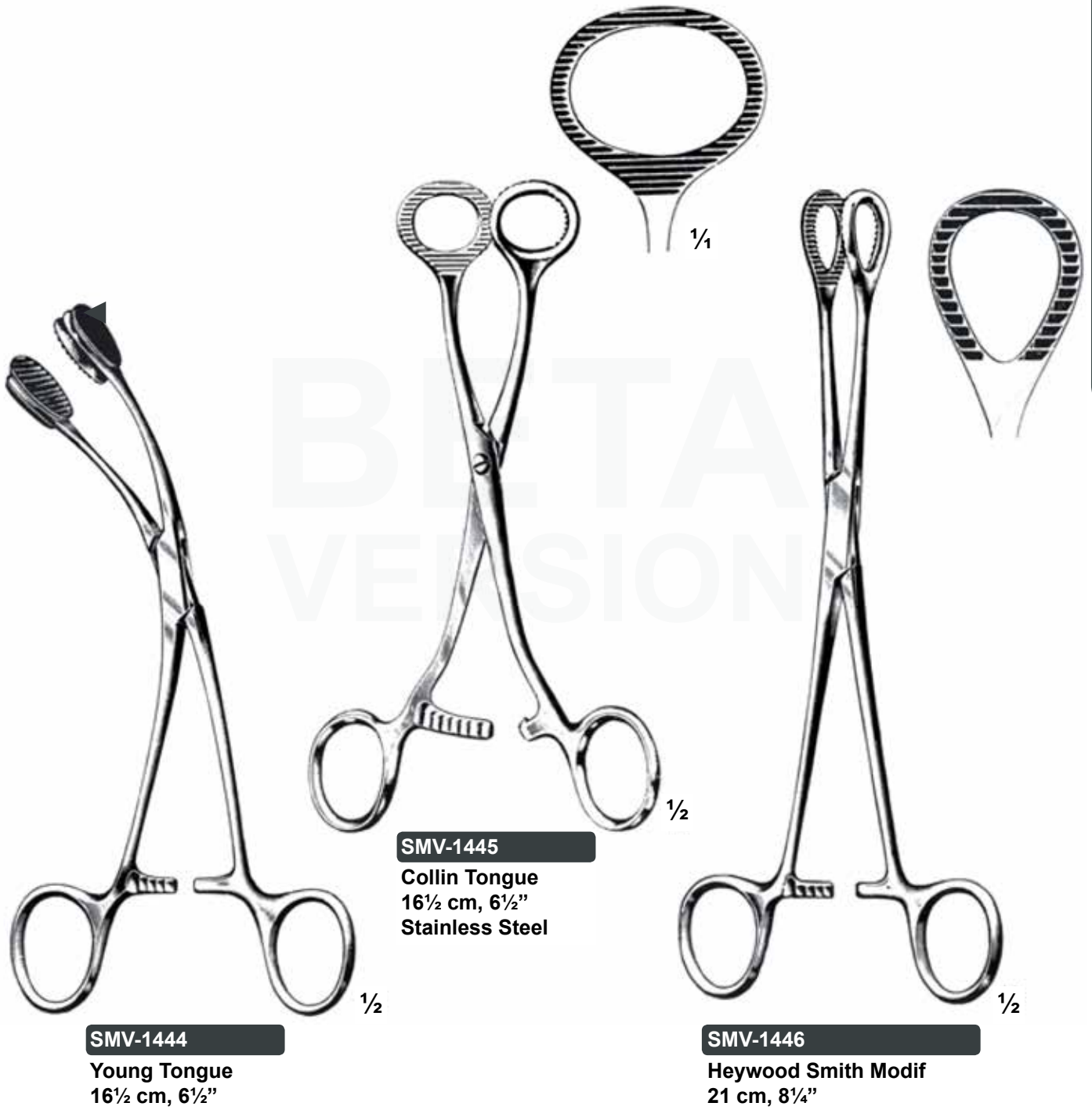
SMV-1441
Balfour Baby Retractor



SMV-1442
Gosset Retractor



SMV-1443
Farabeuf Retractor
Set of two
Stainless Steel



SMV-1444
Young Tongue
16½ cm, 6½"

SMV-1445
Collin Tongue
16½ cm, 6½"
Stainless Steel

SMV-1446
Heywood Smith Modif
21 cm, 8¼"

Note: Spare rubber are also available on demand



SMV-1447
20 cm, 8"



SMV-1448
Fergusson
21 cm, 8¼"



SMV-1449
Farabeuf Lambotte
26 cm, 10¼"



SMV-1450
Kern Lane
23 cm, 9"

Forceps for Depositing Small Fragments



SMV-1451
13½ cm, 5¼"

5 mm 2.5 mm

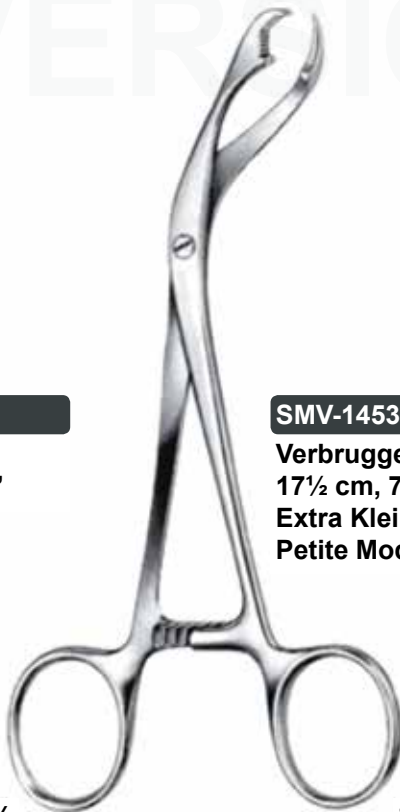


¼



SMV-1452
Reill
17 cm, 6¾"

½



SMV-1453
Verbrugge
17½ cm, 7"
Extra Klein, Small
Petite Model

½

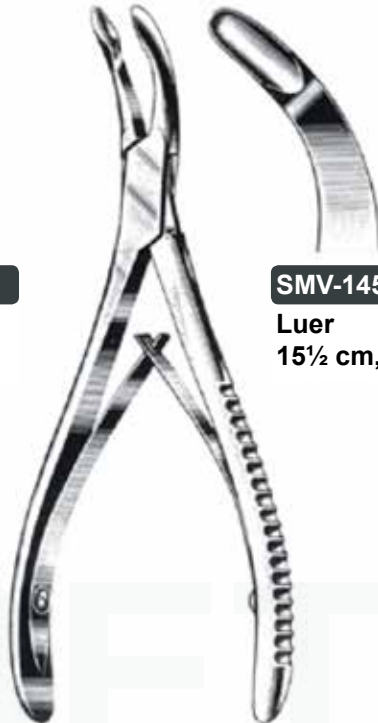


SMV-1454
Verbrugge
25 cm, 10"

**Bone Cutting Forcep
Curved on Flat**



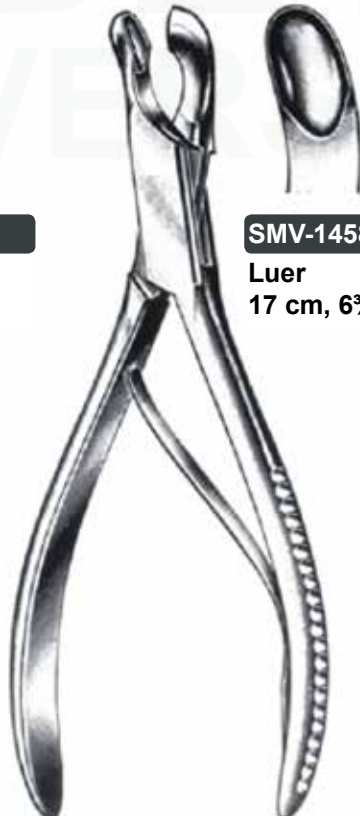
SMV-1455
Luer Friedmann
14 cm, 5½"



SMV-1456
Luer
15½ cm, 6⅛"



SMV-1457
Luer
17 cm, 6¾"

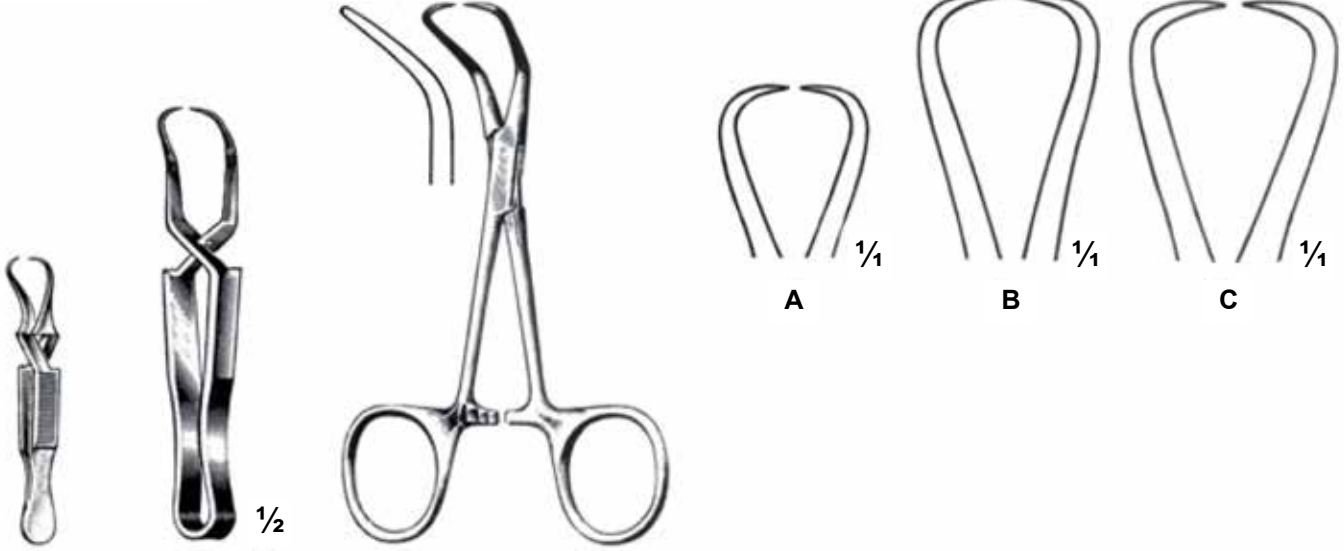


SMV-1458
Luer
17 cm, 6¾"



SMV-1459
Stille Ruskin
23 cm, 9"

Towel Clamps



SMV-1460
5½ cm, 2¼"

SMV-1461
Schardel
9 cm, 3½"
Curved

Backhaus Towel
SMV-1462 9 cm, 3½"
SMV-1463 11 cm, 4¼"
SMV-1464 13 cm, 5¼"

Forceps



SMV-1466
Pean
14 cm, 5½"
St / Cvd

SMV-1467
Crile
16 cm, 6¼"
St / Cvd

SMV-1468
Halstead
Mosquito
A. 12½ cm, 5"
B. 16 cm, 6½"

SMV-1469
Baby Mos-
quito
(Hartmann)
10 cm, 4"

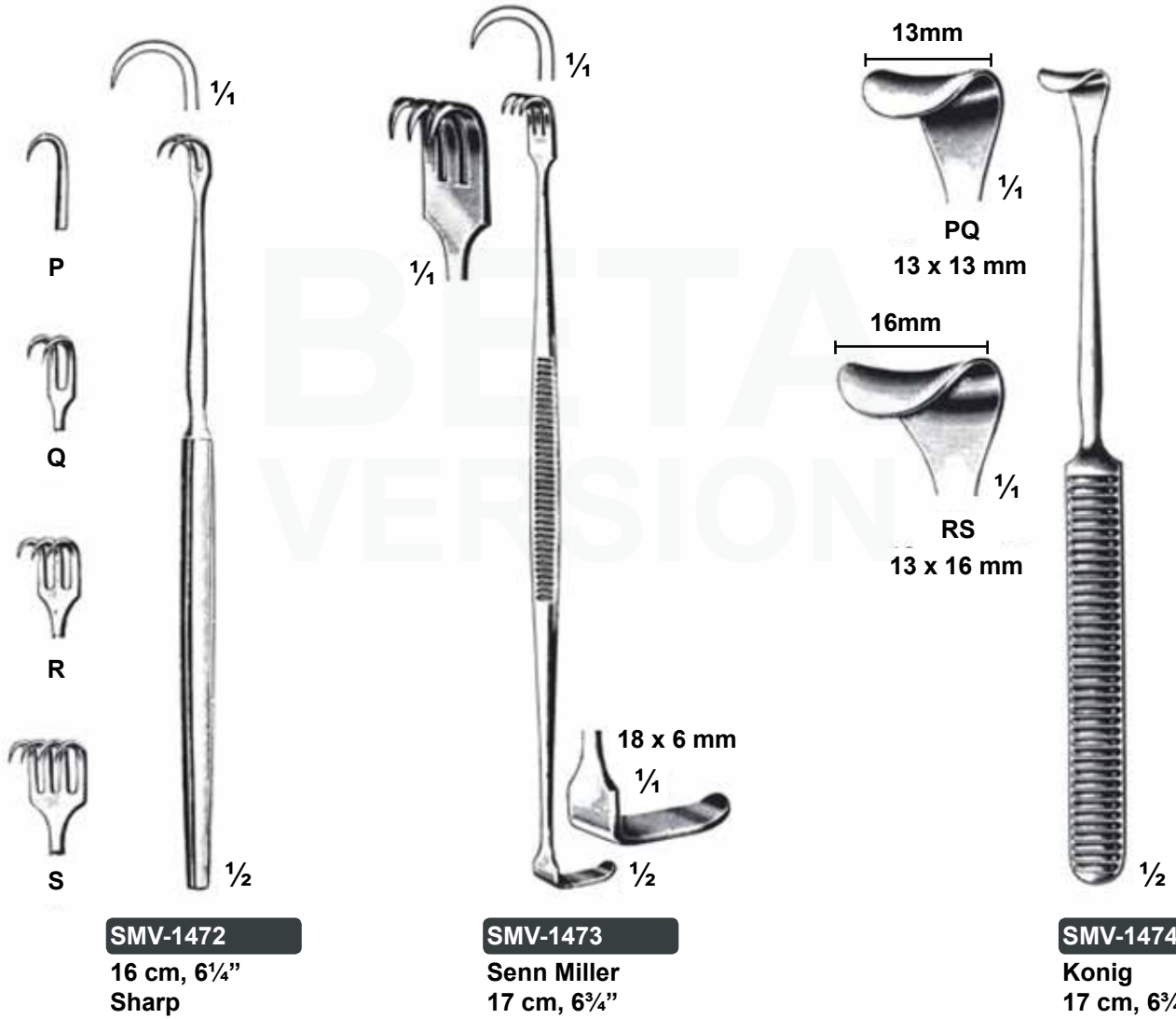
Note: All other type of forceps available on demand, kindly write us for our surgical instruments catalogue



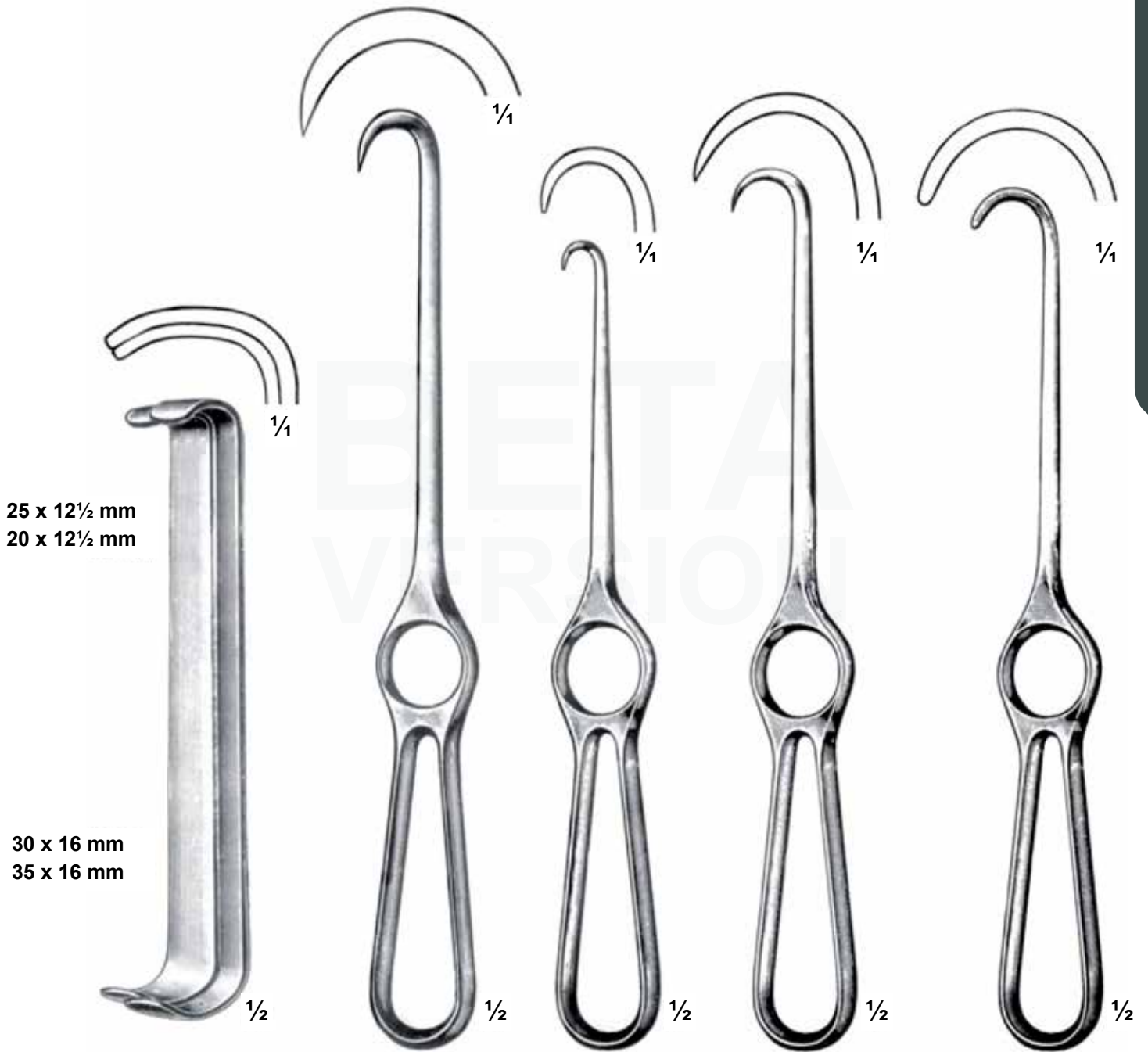
SMV-1470
Volkman
22 cm, 8³/₄"

SMV-1471
Israel
23 cm, 9"

Vein Retractors







SMV-1476

Colin
16½ cm, 6½"
Set of Two

SMV-1477

Kocher
24½ cm, 9¾"
Sharp

SMV-1478

Volkmann
22 cm, 8¾"
Sharp

SMV-1479

Volkmann
22 cm, 8¾"
Sharp

SMV-1480

Volkmann
22 cm, 8¾"
Blunt

Charriere	
cm	in.
A. 27	10½"
B. 30	12"
C. 34	13½"



SMV-1481

Charriere
Adjustable, with 3 Saw Blades,
3.5 and 7 mm wide 2

SMV-1482

Satterlee
31 cm, 12¼"



SMV-1483

Stille

cm	in.
A. 23	9"
B. 26	12¼"
C. 37	14½"

Bone Chisels & Gouges



SMV-1484 SMV-1485 SMV-1486 SMV-1487 SMV-1488 SMV-1489

Osteotomes	Chisels	Gouges	Stille	Stille	Stille
13.5 cm	13.5 cm	13.5 cm	20 cm	20 cm	20 cm
8 cm	8 cm	8 cm	10 cm	10 cm	10 cm
10 cm	10 cm	10 cm	15 cm	15 cm	15 cm
12 cm	12 cm	12 cm	20 cm	20 cm	20 cm
14 cm	14 cm	14 cm	25 cm	25 cm	25 cm
16 cm	16 cm	16 cm			

Cartilage Knife

Autopsy Knives



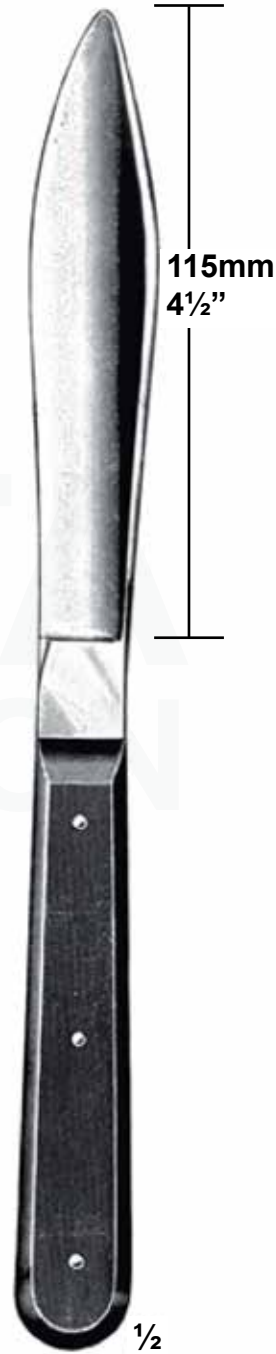
SMV-1490
Virchow
22 cm, 8³/₄"
Stainless Handle



SMV-1491
Virchow
24¹/₂ cm, 9¹/₂"
Stainless Handle



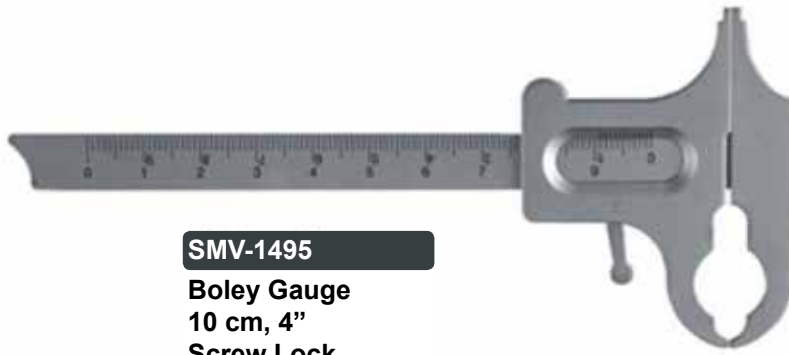
SMV-1492
Virchow
24¹/₂ cm, 9¹/₂"
Wooden Handle



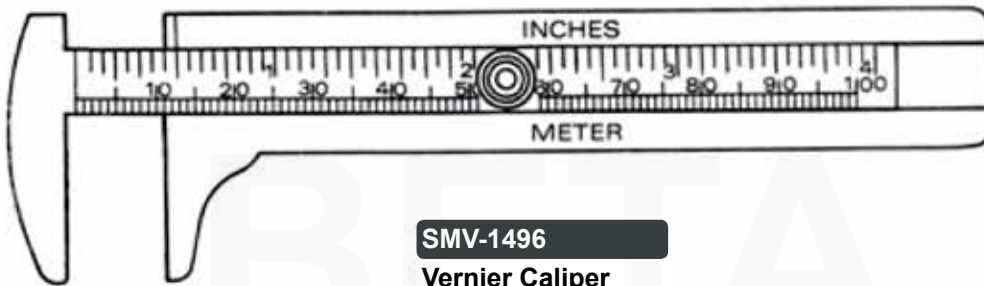
SMV-1493
Virchow
25¹/₂ cm, 10"
Wooden Handle



SMV-1494
25¹/₂ cm, 10"
Stainless Handle



SMV-1495
Boley Gauge
10 cm, 4"
Screw Lock



SMV-1496
Vernier Caliper
11½ cm, 4½"
High Polished



SMV-1497
Veterinary Pal Caliper
10 cm, 4"



SMV-1499

SMV-1498
Iwanson Caliper
10 cm, 4"
All uses, for Metal - for Wax.



SMV-1500
Ear Notcher
15 cm Length
V-Cut Shape



SMV-1501
Ear Notcher
15 cm Length
Rectangular Shape



SMV-1502
Ear Notcher
15 cm Length
M-Cut Shape

SMV-1503
Ear Notcher
15 cm Length
Small V-Cut Shape



SMV-1504
Ear Notcher
15 cm Length
Round Shape

SMV-1505
Ear Notcher
23 cm Length
Cloverleaf Cut Shape



Ear Notcher V-Cut (Aluminum)

- SMV-1506** Small
- SMV-1507** Medium with Plate
- SMV-1508** Large with Plate



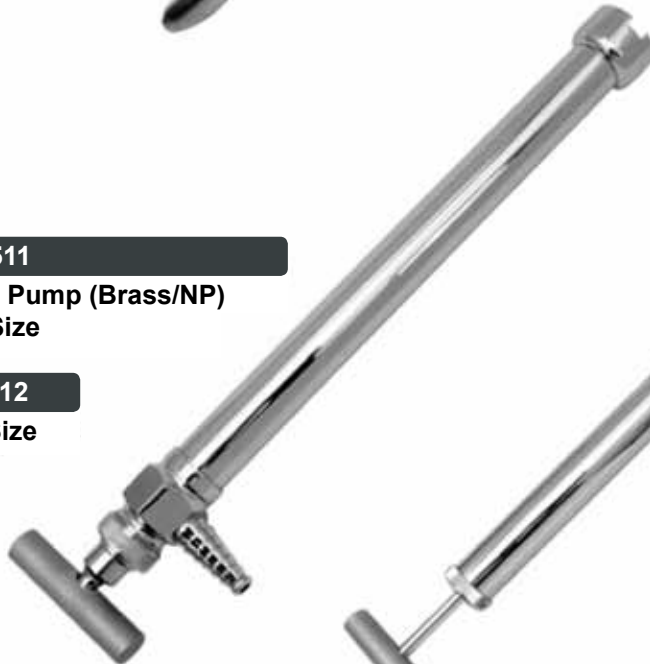
SMV-1510
Ear Notcher Large
Oval Cut



SMV-1509
Ear Notcher Large
Triangular Shape



SMV-1511
Drench Pump (Brass/NP)
Small Size



SMV-1512
Large Size



SMV-1513
Drench Pump (Brass/NP)
39 cm



SMV-1515 to SMV-1518
Glycerine Syringe
with 3 Rings, 1 Cannula,
in Packed in Carton
Chrome Plated



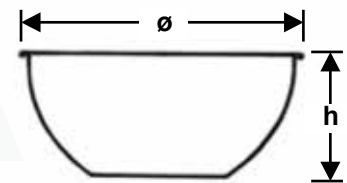
SMV-1519 to SMV-1522
Pomeroey Ears Syringe
Chrome Plated



SMV-1514
High Polished

A
Available in Sizes

SMV-1515	2 Oz
SMV-1516	4 Oz
SMV-1517	6 Oz
SMV-1518	8 Oz



B
Available in Sizes

SMV-1519	2 Oz
SMV-1520	4 Oz
SMV-1521	6 Oz
SMV-1522	8 Oz

	Capacity	Sizes in MM
	1	ø x h
SMV-1523	0.375	110 x 50
SMV-1524	0.45	120 x 57
SMV-1525	0.7	140 x 65
SMV-1526	1.1	160 x 75
SMV-1527	1.5	180 x 85



SMV-1528
Perforated Trays
18 / 8, 505 x 305 x 60 mm
Stainless Steel

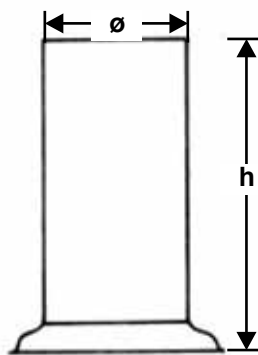


Trays
Available in Sizes

SMV-1529	7" x 5"
SMV-1530	6" x 8"
SMV-1531	8" x 10"
SMV-1532	12" x 14"
SMV-1533	16" x 8"



SMV-1534
 220 x 70 mm



Jars	
ø	x h
1"	x 4"
2"	x 7"
2"	x 8"
4"	x 8"



SMV-1535
 Jar without Lid



Lid Only

SMV-1536	75x 130 mm
SMV-1537	75x 175 mm
SMV-1538	100x 200 mm



Sterilizer Drums

SMV-1539	3½" x 3½"
SMV-1540	6" x 6"
SMV-1541	7" x 7"
SMV-1542	8" x 8"
SMV-1543	9" x 9"
SMV-1544	10" x 10"
SMV-1545	12" x 12"
SMV-1546	15" x 15"



Sterilizer Drums

SMV-1547	125 x 120 mm
SMV-1548	150 x 150 mm
SMV-1549	165 x 150 mm
SMV-1550	195 x 140 mm
SMV-1551	245 x 160 mm
SMV-1552	245 x 245 mm
SMV-1553	290 x 160 mm
SMV-1554	290 x 245 mm
SMV-1555	340 x 250 mm
SMV-1556	390 x 290 mm

Universal Trays, Instruments Storing Trays



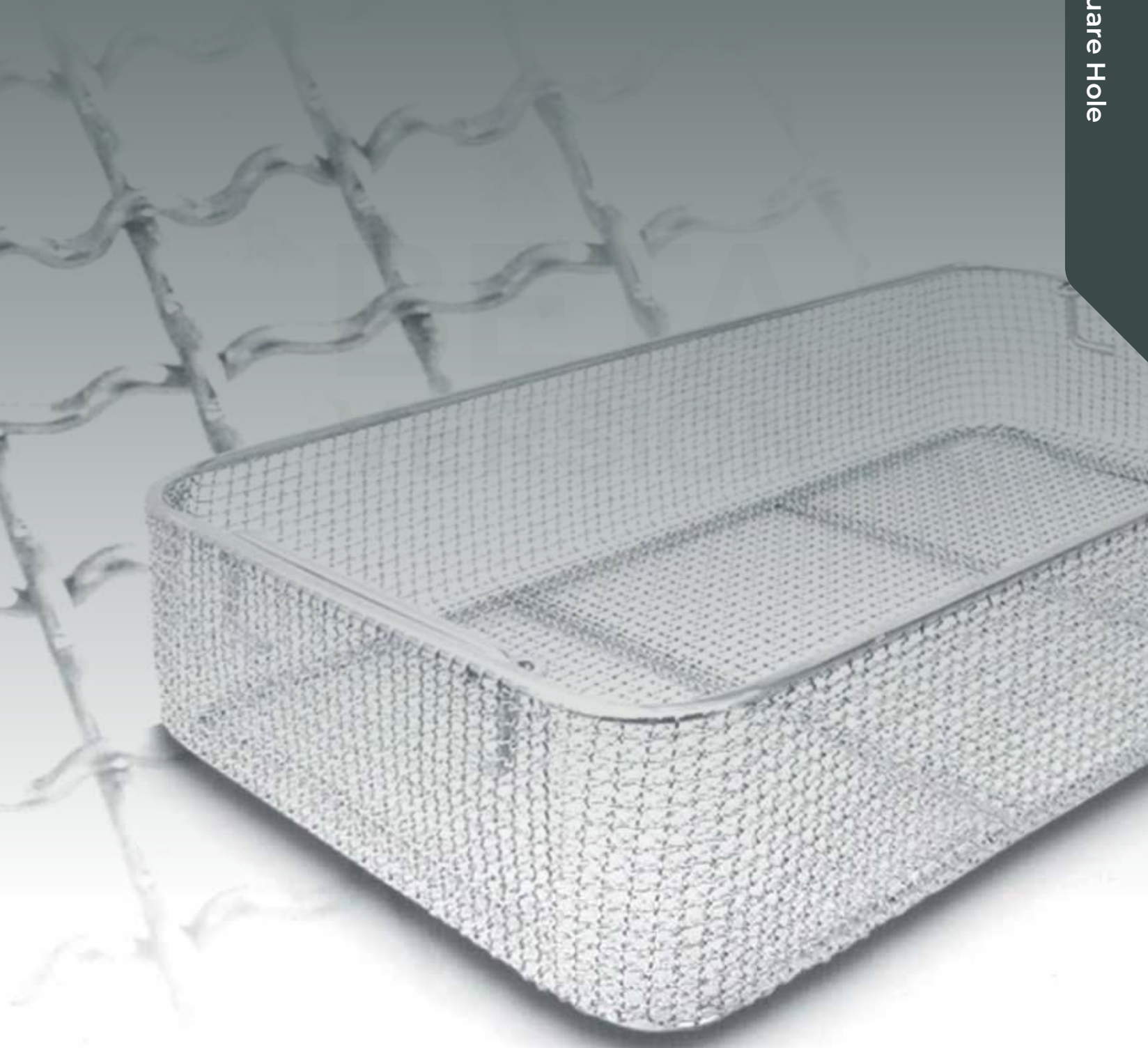
	l	x	b	x	h
SMV-1557	230	x	155	x	30 mm
SMV-1558	300	x	175	x	30 mm
SMV-1559	300	x	175	x	40 mm
SMV-1560	350	x	240	x	36 mm
SMV-1561	400	x	300	x	50 mm

Highly Polished - Satin Finish

Note: Our factory can make any type of Hollow wares for your requirements, please write us for your demands

STANDARD CRIMP SQUARE HOLE

Standard Crimps Square Hole





Article No.	Dimension
SMV-1562	540 x 255 x 30 mm
SMV-1563	540 x 255 x 50 mm
SMV-1564	540 x 255 x 70 mm
SMV-1565	540 x 255 x 100 mm



Article No.	Dimension
SMV-1566	485 x 255 x 30 mm
SMV-1567	485 x 255 x 50 mm
SMV-1568	485 x 255 x 70 mm
SMV-1569	485 x 255 x 100 mm



Article No.	Dimension
SMV-1570	405 x 255 x 30 mm
SMV-1571	405 x 255 x 50 mm
SMV-1572	405 x 255 x 70 mm
SMV-1573	405 x 255 x 100 mm



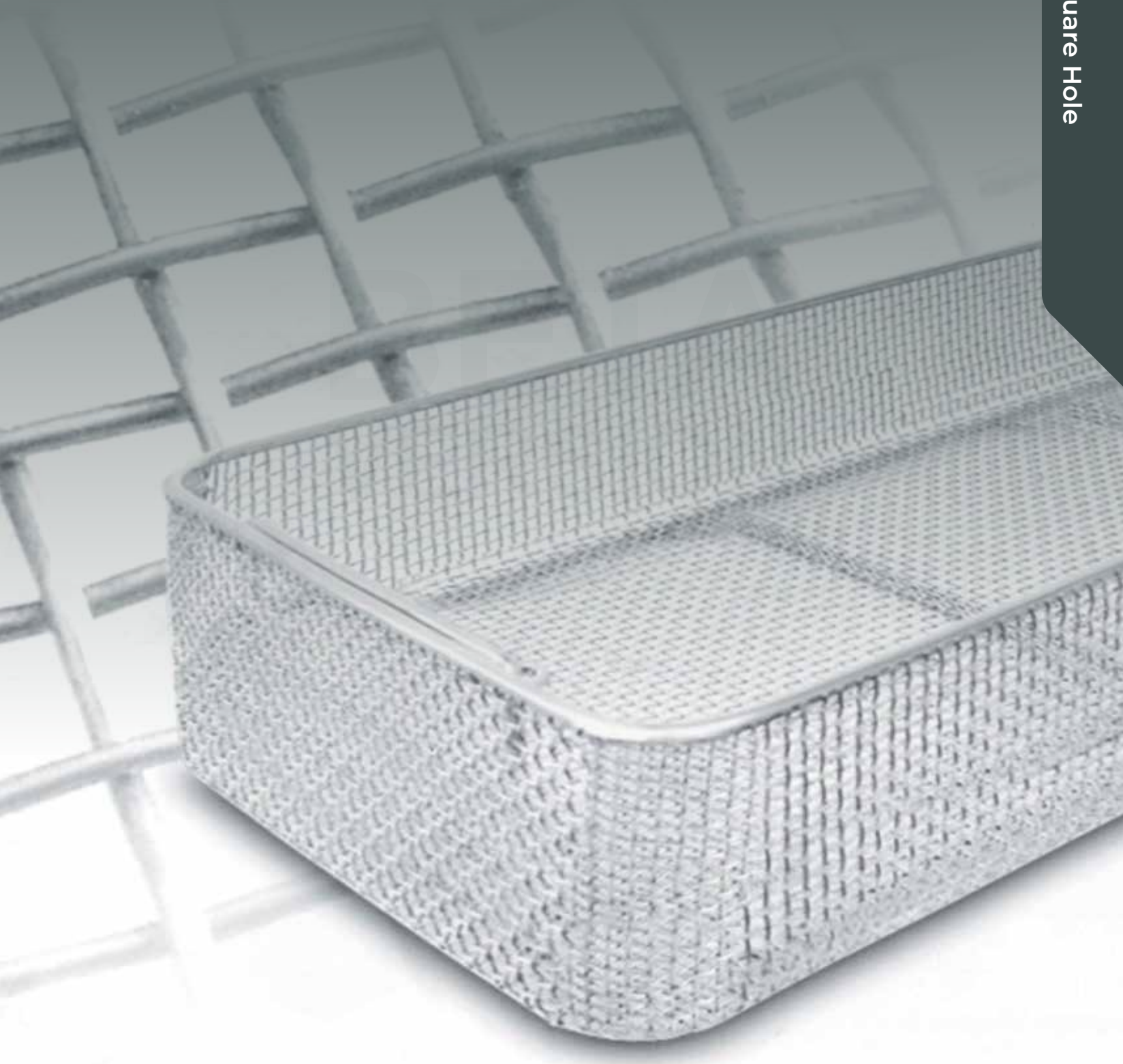
Article No.	Dimension
SMV-1574	255 x 245 x 30 mm
SMV-1575	255 x 245 x 50 mm
SMV-1576	255 x 245 x 70 mm
SMV-1577	255 x 245 x 100 mm



Article No.	Dimension
SMV-1578	300 x 230 x 50 mm
SMV-1579	300 x 230 x 70 mm
SMV-1580	300 x 230 x 100 mm

STANDARD PLAIN SQUARE HOLE

Standard Plain Square Hole





Article No.	Dimension
SMV-1581	540 x 255 x 30 mm
SMV-1582	540 x 255 x 50 mm
SMV-1583	540 x 255 x 70 mm
SMV-1584	540 x 255 x 100 mm



Article No.	Dimension
SMV-1585	485 x 255 x 30 mm
SMV-1586	485 x 255 x 50 mm
SMV-1587	485 x 255 x 70 mm
SMV-1588	485 x 255 x 100 mm



Article No.	Dimension
SMV-1589	405 x 255 x 30 mm
SMV-1590	405 x 255 x 50 mm
SMV-1591	405 x 255 x 70 mm
SMV-1592	405 x 255 x 100 mm



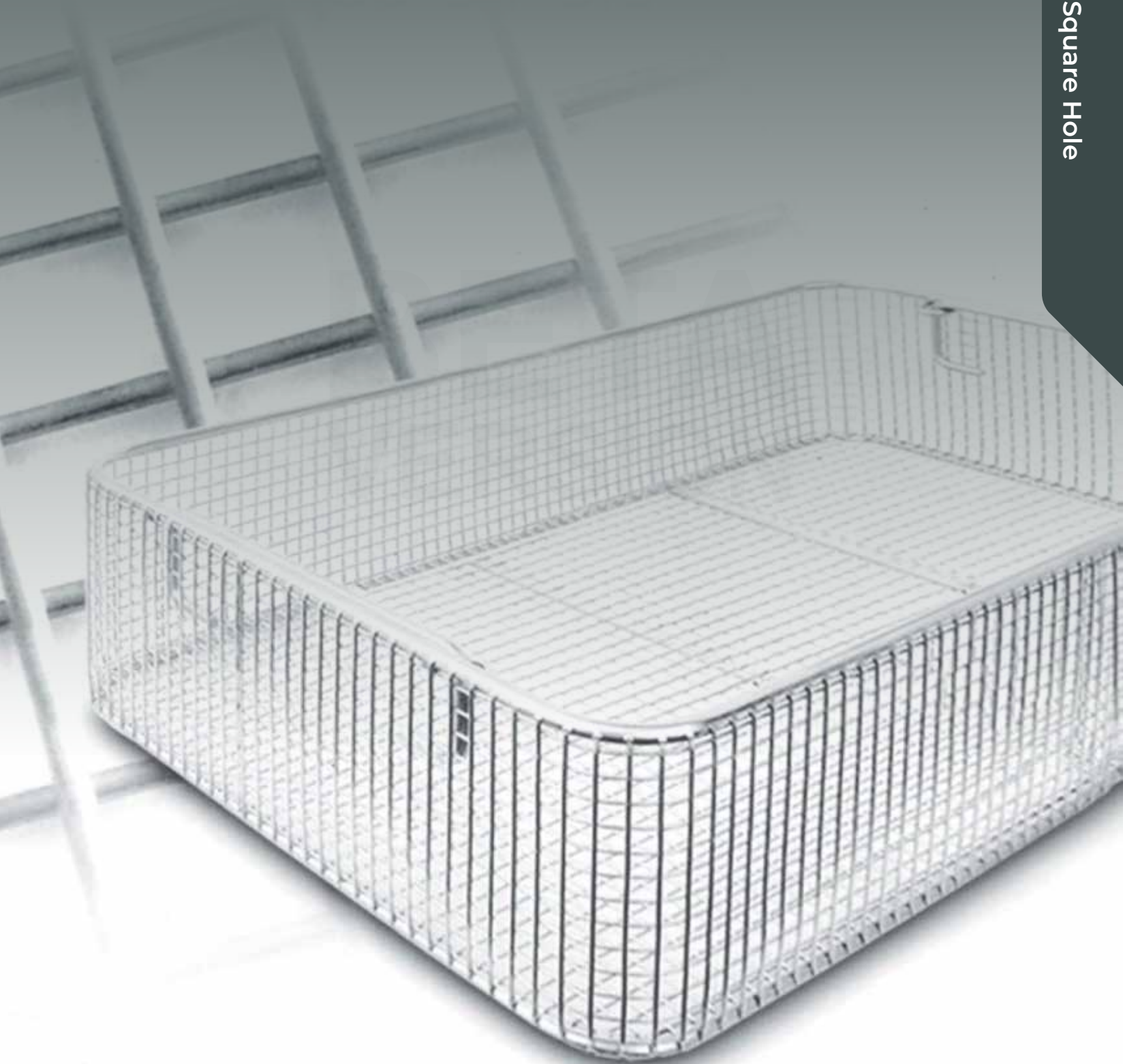
Article No.	Dimension
SMV-1593	255 x 245 x 30 mm
SMV-1594	255 x 245 x 50 mm
SMV-1595	255 x 245 x 70 mm
SMV-1596	255 x 245 x 100 mm



Article No.	Dimension
SMV-1597	260 x 115 x 40 mm
SMV-1598	260 x 115 x 50 mm
SMV-1599	260 x 115 x 70 mm

STANDARD WELDED SQUARE HOLE

Standard Welded Square Hole





Article No.	Dimension
SMV-1600	540 x 255 x 30 mm
SMV-1601	540 x 255 x 50 mm
SMV-1602	540 x 255 x 70 mm
SMV-1603	540 x 255 x 100 mm



Article No.	Dimension
SMV-1604	485 x 255 x 30 mm
SMV-1605	485 x 255 x 50 mm
SMV-1606	485 x 255 x 70 mm
SMV-1607	485 x 255 x 100 mm



Article No.	Dimension
SMV-1608	405 x 255 x 30 mm
SMV-1609	405 x 255 x 50 mm
SMV-1610	405 x 255 x 70 mm
SMV-1611	405 x 255 x 100 mm



Article No.	Dimension
SMV-1612	255 x 245 x 30 mm
SMV-1613	255 x 245 x 50 mm
SMV-1614	255 x 245 x 70 mm
SMV-1615	255 x 245 x 100 mm



Article No.	Dimension
SMV-1616	510 x 240 mm
SMV-1617	455 x 240 mm
SMV-1618	375 x 240 mm
SMV-1619	240 x 215 mm

PERFORATED SIDE PLATE

Perforated Side Plate





Article No.	Dimension
SMV-1620	540 x 255 x 30 mm
SMV-1621	540 x 255 x 50 mm
SMV-1622	540 x 255 x 70 mm
SMV-1623	540 x 255 x 100 mm



Article No.	Dimension
SMV-1624	485 x 255 x 30 mm
SMV-1625	485 x 255 x 50 mm
SMV-1626	485 x 255 x 70 mm
SMV-1627	485 x 255 x 100 mm



Article No.	Dimension
SMV-1628	405 x 255 x 30 mm
SMV-1629	405 x 255 x 50 mm
SMV-1630	405 x 255 x 70 mm
SMV-1631	405 x 255 x 100 mm



Article No.	Dimension
SMV-1632	255 x 245 x 30 mm
SMV-1633	255 x 245 x 50 mm
SMV-1634	255 x 245 x 70 mm
SMV-1635	255 x 245 x 100 mm



Article No.	Dimension
SMV-1636	510 x 240 mm
SMV-1637	455 x 240 mm
SMV-1638	375 x 240 mm
SMV-1639	240 x 215 mm

STANDARD WITH LID

Standard with LID





Article No.	Dimension
SMV-1640	460 x 320 x 80 mm
SMV-1641	440 x 250 x 80 mm

Article No.	Dimension
SMV-1642	440 x 250 x 40 mm
SMV-1643	340 x 250 x 40 mm



Article No.	Dimension
SMV-1644	272 x 172 x 30 mm
SMV-1645	272 x 172 x 50 mm
SMV-1646	272 x 172 x 70 mm
SMV-1647	272 x 172 x 100 mm

Article No.	Dimension
SMV-1648	260 x 115 x 40 mm
SMV-1649	260 x 115 x 50 mm
SMV-1650	260 x 115 x 70 mm
SMV-1651	225 x 130 x 40 mm
SMV-1652	200 x 75 x 40 mm
SMV-1653	130 x 115 x 50 mm
SMV-1654	130 x 115 x 70 mm





SMV-1655



SMV-1656



SMV-1657



SMV-1658



SMV-1659



SMV-1660



SMV-1661



SMV-1662



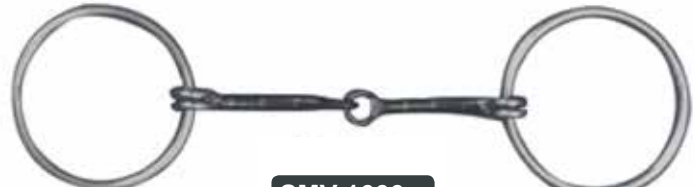
SMV-1663



SMV-1664



SMV-1665



SMV-1666



SMV-1667



SMV-1668





SMV-1684



SMV-1685



SMV-1686



SMV-1687



SMV-1688



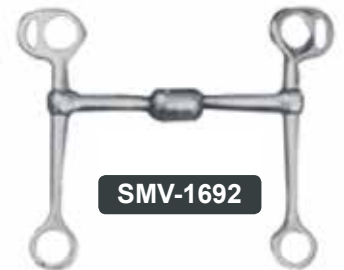
SMV-1689



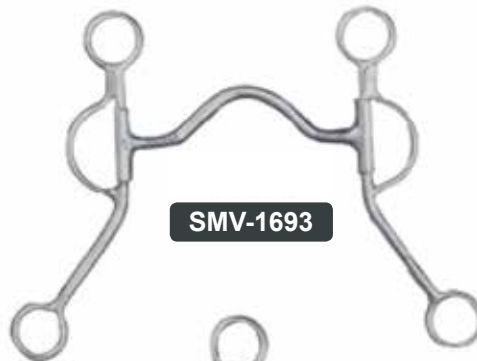
SMV-1690



SMV-1691



SMV-1692



SMV-1693



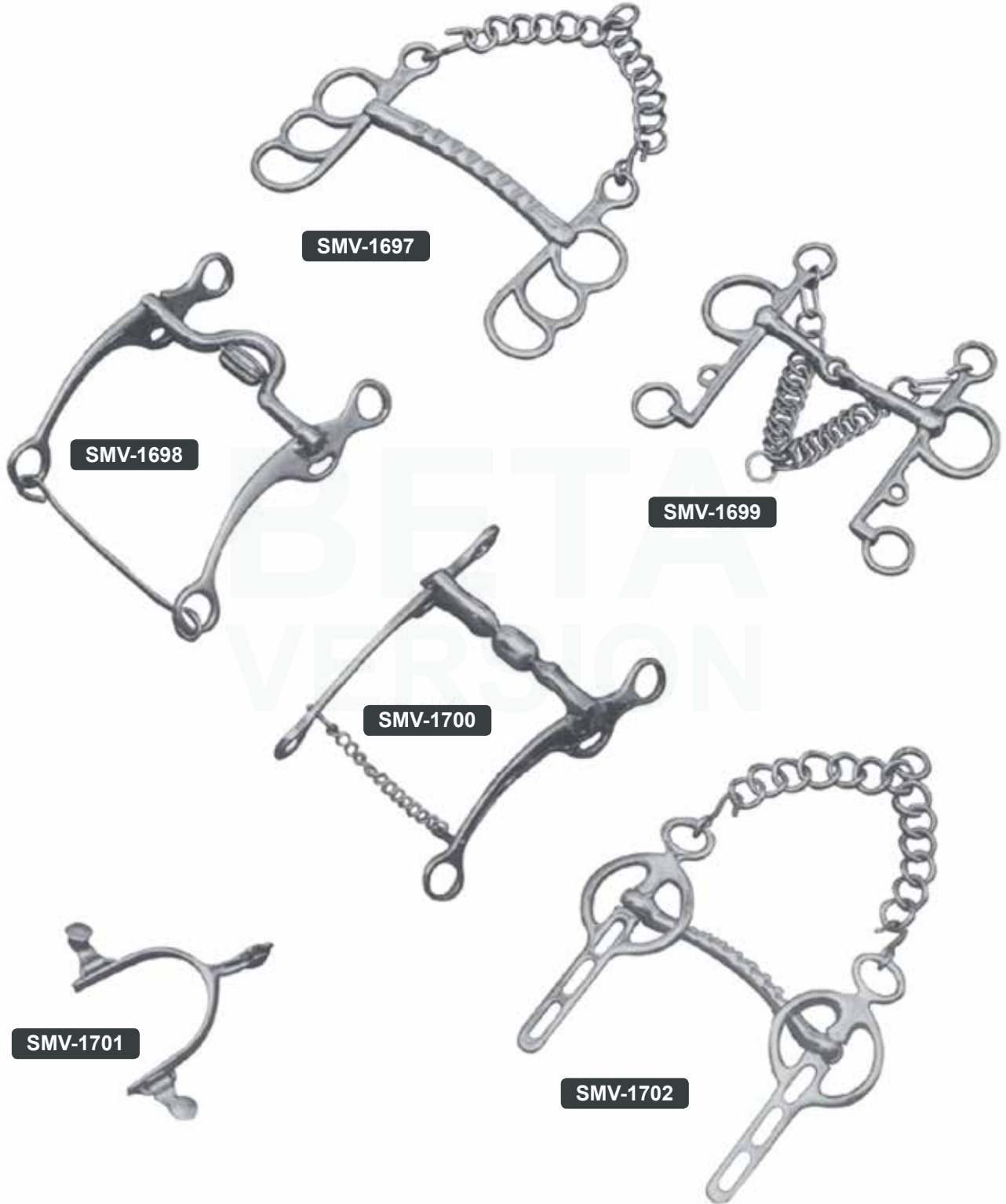
SMV-1694



SMV-1695



SMV-1696





SMV-1703



SMV-1704

SMV-1705



SMV-1707

SMV-1706



SMV-1708



SMV-1709



SMV-1710



SMV-1711



SMV-1712



SMV-1713



SMV-1714



SMV-1715

**O.B. Tool Kit
(Cattle Farming)**



SMV-1716

Ratchet Calf Puller

Page 02		Table of Contents	
Page 03		Table of Contents	
Page 04		Table of Contents	
Page 05		Welcome to Snowman	
Page 06		About Us	
Artical No.	Page No.	Section	
SMV-1001	7	Hoof & Claws Instruments	
SMV-1002			
SMV-1003			
SMV-1004			
SMV-1005			
SMV-1006			
SMV-1007	8		
SMV-1008			
SMV-1009			
SMV-1010			
SMV-1011	9		
SMV-1012			
SMV-1013			
SMV-1014			
SMV-1015			
SMV-1016			
SMV-1017	10		
SMV-1018			
SMV-1019			
SMV-1020			
SMV-1021	11		
SMV-1022			
SMV-1023			
SMV-1024	12		Hoof & Claws Cutters
SMV-1025			
SMV-1026	13		Dehorning Instruments
SMV-1027			
SMV-1028	14		
SMV-1029			

Artical No.	Page No.	Section
SMV-1030	14	Dehorning Instruments
SMV-1031		
SMV-1032		
SMV-1033		
SMV-1034	15	Self Retaining Retractors
SMV-1035		
SMV-1036		
SMV-1037		
SMV-1038	16	
SMV-1039		
SMV-1040		
SMV-1041		
SMV-1042	17	
SMV-1043		
SMV-1044		
SMV-1045	18	
SMV-1046		
SMV-1047		
SMV-1048		
SMV-1049	19	Instruments for Castration Emasculators
SMV-1050		
SMV-1051		
SMV-1052		
SMV-1053	20	
SMV-1054		
SMV-1055		
SMV-1056	21	Castration Forceps Emasculators
SMV-1057		
SMV-1058		
SMV-1059	22	Castration Forceps
SMV-1060		
SMV-1061		
SMV-1062		
SMV-1063		

Artical No.	Page No.	Section
SMV-1064	22	Castration Forceps
SMV-1065		
SMV-1066	23	Trocars
SMV-1067		
SMV-1068		
SMV-1069		
SMV-1070		
SMV-1071	24	Trocars
SMV-1072		
SMV-1073		
SMV-1074		
SMV-1075		
SMV-1076	25	Trocars
SMV-1077		
SMV-1078		
SMV-1079		
SMV-1080	26	Tooth Instruments
SMV-1081		
SMV-1082		
SMV-1083		
SMV-1084		
SMV-1085		
SMV-1086		
SMV-1087		
SMV-1088		
SMV-1089		
SMV-1090		
SMV-1091		
SMV-1092		
SMV-1093		
SMV-1094		
SMV-1095		
SMV-1096		
SMV-1097		

Artical No.	Page No.	Section
SMV-1098	26	Tooth Instruments
SMV-1099		
SMV-1100		
SMV-1101		
SMV-1102		
SMV-1103		
SMV-1104	27	Needle Holder with Carbide Tips TC
SMV-1105		
SMV-1106		
SMV-1107		
SMV-1108		
SMV-1109		
SMV-1110		
SMV-1111		
SMV-1112		
SMV-1113		
SMV-1114		
SMV-1115	28	Needle Holder with Carbide Tips TC
SMV-1116		
SMV-1117		
SMV-1118		
SMV-1119		
SMV-1120		
SMV-1121		
SMV-1122		
SMV-1123		
SMV-1124		
SMV-1125		
SMV-1126		
SMV-1127		
SMV-1128		
SMV-1129		
SMV-1130		
SMV-1131		

Artical No.	Page No.	Section
SMV-1132	30	Suture Needles
SMV-1133		
SMV-1134		
SMV-1135		
SMV-1136		
SMV-1137		
SMV-1138		
SMV-1139	31	Suture Needles
SMV-1140		
SMV-1141		
SMV-1142		
SMV-1143		
SMV-1144		
SMV-1145	32	Suture Needles
SMV-1146		
SMV-1147		
SMV-1148		
SMV-1149		
SMV-1150		
SMV-1151	33	Restraining Equipments
SMV-1152		
SMV-1153		
SMV-1154		
SMV-1155		
SMV-1156		
SMV-1157	34	Restraining Equipments
SMV-1158		
SMV-1159		
SMV-1160		
SMV-1161		
SMV-1162		
SMV-1163		
SMV-1164		
SMV-1165		

Artical No.	Page No.	Section
SMV-1166	34	Suture Needles
SMV-1167		
SMV-1168	35	
SMV-1169		
SMV-1170		
SMV-1171		
SMV-1172		
SMV-1173		
SMV-1174		
SMV-1175		
SMV-1176		
SMV-1177		
SMV-1178		
SMV-1179		
SMV-1180		
SMV-1181		
SMV-1182	37	
SMV-1183		
SMV-1184		
SMV-1185		
SMV-1186		
SMV-1187		
SMV-1188		
SMV-1189	38	Obstetric Instruments & Hospital Scissors
SMV-1190		
SMV-1191		
SMV-1192		
SMV-1193		
SMV-1194		
SMV-1195	39	Instruments For Meat Inspection
SMV-1196		
SMV-1197		
SMV-1198		
SMV-1199		

Artical No.	Page No.	Section
SMV-1200	39	Instruments For Meat Inspection
SMV-1201		
SMV-1202		
SMV-1203		
SMV-1204	40	Teat Instruments
SMV-1205		
SMV-1206		
SMV-1207		
SMV-1208		
SMV-1209		
SMV-1210		
SMV-1211		
SMV-1212		
SMV-1213		
SMV-1214		
SMV-1215		
SMV-1216		
SMV-1217		
SMV-1218	41	Various Instruments
SMV-1219		
SMV-1220		
SMV-1221		
SMV-1222		
SMV-1223		
SMV-1224		
SMV-1225		
SMV-1226		
SMV-1227		
SMV-1228		
SMV-1229	42	Scalpel Handle Interchangeable Blades
SMV-1230		
SMV-1231		
SMV-1232		
SMV-1233		

Artical No.	Page No.	Section
SMV-1234	43	Scalpel Handle Interchangeable Blades
SMV-1235		
SMV-1236		
SMV-1237		
SMV-1238		
SMV-1239	44	Dental Forceps
SMV-1240		
SMV-1241		
SMV-1242	45	
SMV-1243		
SMV-1244		
SMV-1245	46	
SMV-1246		
SMV-1247		
SMV-1248		
SMV-1249	47	Instruments For Docking Dogs
SMV-1250		
SMV-1251		
SMV-1252		
SMV-1253		
SMV-1254		
SMV-1255		
SMV-1256		
SMV-1257		
SMV-1258	48	Clippers For Shears
SMV-1259		
SMV-1260		
SMV-1261		
SMV-1262	49	Sterilizing Forceps
SMV-1263		
SMV-1264		
SMV-1265		
SMV-1266		
SMV-1267		

Artical No.	Page No.	Section
SMV-1268	50	Bandage Scissors With or Without TC
SMV-1269		
SMV-1270		
SMV-1271		
SMV-1272		
SMV-1273		
SMV-1274		
SMV-1275		
SMV-1276		
SMV-1277		
SMV-1278		
SMV-1279		
SMV-1280		
SMV-1281		
SMV-1282		
SMV-1283		
SMV-1284		
SMV-1285		
SMV-1286		
SMV-1287		
SMV-1288		
SMV-1289		
SMV-1290		
SMV-1291		
SMV-1292		
SMV-1293		
SMV-1294		
SMV-1295		
SMV-1296		
SMV-1297		
SMV-1298		
SMV-1299		
SMV-1300		
SMV-1301		

Artical No.	Page No.	Section
SMV-1302	51	Surgical Scissors With or Without TC
SMV-1303		
SMV-1304		
SMV-1305		
SMV-1306		
SMV-1307		
SMV-1308		
SMV-1309		
SMV-1310		
SMV-1311		
SMV-1312	52	Surgical Scissors & Forceps
SMV-1313		
SMV-1314		
SMV-1315		
SMV-1316		
SMV-1317		
SMV-1318		
SMV-1319		
SMV-1320		
SMV-1321		
SMV-1322		
SMV-1323		
SMV-1324		
SMV-1325		
SMV-1326		
SMV-1327	53	Delicate Scissors
SMV-1328		
SMV-1329		
SMV-1330	54	Delicate Scissors
SMV-1331		
SMV-1332		
SMV-1333		
SMV-1334		
SMV-1335		

Artical No.	Page No.	Section
SMV-1336	54	Dressing Forceps
SMV-1337		
SMV-1338		
SMV-1339		
SMV-1340		
SMV-1341		
SMV-1342		
SMV-1343		
SMV-1344		
SMV-1345		
SMV-1346		
SMV-1347		
SMV-1348		
SMV-1349		
SMV-1350		
SMV-1351		
SMV-1352		
SMV-1353		
SMV-1354		
SMV-1355		
SMV-1356		
SMV-1357		
SMV-1358	55	Ophthalmic Instruments
SMV-1359		
SMV-1360		
SMV-1361		
SMV-1362		
SMV-1363		
SMV-1364		
SMV-1365		
SMV-1366		
SMV-1367		
SMV-1368		
SMV-1369		

Artical No.	Page No.	Section
SMV-1370	56	Dressing Forceps
SMV-1371		
SMV-1372		
SMV-1373		
SMV-1374		
SMV-1375		
SMV-1376		
SMV-1377	57	Dressing Forceps
SMV-1378		
SMV-1379		
SMV-1380		
SMV-1381		
SMV-1382		
SMV-1383		
SMV-1384	58	Rongeurs
SMV-1385		
SMV-1386		
SMV-1387		
SMV-1388		
SMV-1389	59	Bone Holding Forceps
SMV-1390		
SMV-1391		
SMV-1392		
SMV-1393		
SMV-1394		
SMV-1395		
SMV-1396	60	Bone Holding Forceps
SMV-1397		
SMV-1398		
SMV-1399		
SMV-1400		
SMV-1401		
SMV-1402		
SMV-1403		

Artical No.	Page No.	Section
SMV-1404	61	Wire Cutters
SMV-1405		
SMV-1406		
SMV-1407		
SMV-1408	62	Speculum
SMV-1409		
SMV-1410		
SMV-1411		
SMV-1412	63	Vaginal Speculum
SMV-1413		
SMV-1414		
SMV-1415		
SMV-1416		
SMV-1417	64	Bovine Vaginal Speculum
SMV-1418		
SMV-1419		
SMV-1420		
SMV-1421		
SMV-1422		
SMV-1423		
SMV-1424		
SMV-1425	65	Diagnostic Instruments
SMV-1426		
SMV-1427		
SMV-1428		
SMV-1429		
SMV-1430		
SMV-1431	66	Torsion Fork / Embryotomy
SMV-1432		
SMV-1433		
SMV-1434		
SMV-1435	67	Nail Cutters & Scissors
SMV-1436		
SMV-1437		

Artical No.	Page No.	Section
SMV-1438	67	Nail Cutters & Scissors
SMV-1439		
SMV-1440	68	Abdominal Retractors
SMV-1441		
SMV-1442		
SMV-1443		
SMV-1444	69	Tongue Forceps
SMV-1445		
SMV-1446		
SMV-1447	70	Bone Holding Forceps
SMV-1448		
SMV-1449		
SMV-1450		
SMV-1451		
SMV-1452	71	Bone Rongeurs
SMV-1453		
SMV-1454		
SMV-1455		
SMV-1456	72	Towel Clamps - Forceps
SMV-1457		
SMV-1458		
SMV-1459		
SMV-1460		
SMV-1461	73	Retractors
SMV-1462		
SMV-1463		
SMV-1464		
SMV-1465		
SMV-1466		
SMV-1467		
SMV-1468		
SMV-1469		
SMV-1470		
SMV-1471		

Artical No.	Page No.	Section
SMV-1472	75	Retractors
SMV-1473		
SMV-1474		
SMV-1475	76	
SMV-1476	77	
SMV-1477		
SMV-1478		
SMV-1479		
SMV-1480		
SMV-1481	78	
SMV-1482		
SMV-1483		
SMV-1484		
SMV-1485		
SMV-1486		
SMV-1487		
SMV-1488		
SMV-1489		
SMV-1490	79	Postmortem Knife
SMV-1491		
SMV-1492		
SMV-1493		
SMV-1494		
SMV-1495	80	Measuring Instruments
SMV-1496		
SMV-1497		
SMV-1498		
SMV-1499	81	Ear Tagging
SMV-1500		
SMV-1501		
SMV-1502		
SMV-1503		
SMV-1504		
SMV-1505		

Artical No.	Page No.	Section
SMV-1506	82	Ear Tagging Drench Pumps
SMV-1507		
SMV-1508		
SMV-1509		
SMV-1510		
SMV-1511		
SMV-1512		
SMV-1513		
SMV-1514	83	Syringes & Trays
SMV-1515		
SMV-1516		
SMV-1517		
SMV-1518		
SMV-1519		
SMV-1520		
SMV-1521		
SMV-1522		
SMV-1523		
SMV-1524		
SMV-1525		
SMV-1526		
SMV-1527		
SMV-1528		
SMV-1529	84	Trays & Jars
SMV-1530		
SMV-1531		
SMV-1532		
SMV-1533		
SMV-1534		
SMV-1535		
SMV-1536		
SMV-1537		
SMV-1538		
SMV-1539		

Artical No.	Page No.	Section
SMV-1540	85	Dressing Container Sterilize Drum & Tray
SMV-1541		
SMV-1542		
SMV-1543		
SMV-1544		
SMV-1545		
SMV-1546		
SMV-1547		
SMV-1548		
SMV-1549		
SMV-1550		
SMV-1551		
SMV-1552		
SMV-1553		
SMV-1554		
SMV-1555		
SMV-1556		
SMV-1557		
SMV-1558		
SMV-1559		
SMV-1560	87	Standard Crimp Square Hole (Sterilizing Buckets)
SMV-1561		
SMV-1562		
SMV-1563		
SMV-1564		
SMV-1565		
SMV-1566		
SMV-1567		
SMV-1568		
SMV-1569		
SMV-1570		
SMV-1571		
SMV-1572		
SMV-1573		

Artical No.	Page No.	Section
SMV-1574	87	Standard Crimp Square Hole (Sterilizing Buckets)
SMV-1575		
SMV-1576		
SMV-1577		
SMV-1578		
SMV-1579		
SMV-1580		
SMV-1581	89	Standard Crimp Square Hole (Sterilizing Buckets)
SMV-1582		
SMV-1583		
SMV-1584		
SMV-1585		
SMV-1586		
SMV-1587		
SMV-1588		
SMV-1589		
SMV-1590		
SMV-1591		
SMV-1592		
SMV-1593		
SMV-1594		
SMV-1595		
SMV-1596		
SMV-1597		
SMV-1598		
SMV-1599		
SMV-1600	91	Standard Crimp Square Hole (Sterilizing Buckets)
SMV-1601		
SMV-1602		
SMV-1603		
SMV-1604		
SMV-1605		
SMV-1606		
SMV-1607		

Artical No.	Page No.	Section
SMV-1608	91	Standard Crimp Square Hole (Sterilizing Buckets)
SMV-1609		
SMV-1610		
SMV-1611		
SMV-1612		
SMV-1613		
SMV-1614		
SMV-1615		
SMV-1616		
SMV-1617		
SMV-1618		
SMV-1619	93	Standard Welded Square Hole (Sterilizing Buckets)
SMV-1620		
SMV-1621		
SMV-1622		
SMV-1623		
SMV-1624		
SMV-1625		
SMV-1626		
SMV-1627		
SMV-1628		
SMV-1629		
SMV-1630		
SMV-1631		
SMV-1632		
SMV-1633		
SMV-1634		
SMV-1635		
SMV-1636		
SMV-1637		
SMV-1638		
SMV-1639		
SMV-1640	93	Perforated Side Plate
SMV-1641		
SMV-1642		
SMV-1643		
SMV-1644		



Artical No.	Page No.	Section
SMV-1645	95	Standard With LID
SMV-1646		
SMV-1647		
SMV-1648		
SMV-1649		
SMV-1650		
SMV-1651		
SMV-1652		
SMV-1653		
SMV-1654		
SMV-1655	96	Equestrian Equipments (Bits)
SMV-1656		
SMV-1657		
SMV-1658		
SMV-1659		
SMV-1660		
SMV-1661		
SMV-1662		
SMV-1663		
SMV-1664		
SMV-1665		
SMV-1666		
SMV-1667		
SMV-1668	97	Equestrian Equipments (Bits)
SMV-1669		
SMV-1670		
SMV-1671		
SMV-1672		
SMV-1673		
SMV-1674		
SMV-1675		
SMV-1676		
SMV-1677		
SMV-1678		
SMV-1679		
SMV-1680		
SMV-1681		



Artical No.	Page No.	Section
SMV-1682	97	
SMV-1683		
SMV-1684	98	
SMV-1685		
SMV-1686		
SMV-1687		
SMV-1688		
SMV-1689		
SMV-1690		
SMV-1691		
SMV-1692		
SMV-1693		
SMV-1694	99	
SMV-1695		
SMV-1696		
SMV-1697	100	
SMV-1698		
SMV-1699		
SMV-1700		
SMV-1701		
SMV-1702		
SMV-1703		
SMV-1704		
SMV-1705	101	
SMV-1706		
SMV-1707		
SMV-1708		
SMV-1709		
SMV-1710		
SMV-1711		
SMV-1712		
SMV-1713		
SMV-1714		
SMV-1715	101	Cattle Farming
SMV-1716		

Buyers you Please know OUR TERMS OF BUSNIESS

- 01. All prices are F.O.B while C.I.F. destination is also given.**
- 02. Bank and trade references should accompany with new offers from our new clients.**
- 03. Payments against irrevocable letter of credit. Bills on sight draft will be drawn only if bank references are satisfactory.**
- 04. Order are subject to our acceptance without any liability on our part.**
- 05. Special instruments are prepared to the specifications of the clients to meet specific needs.**
- 06. We will Brand logo and special marks on the products without charges if so desired.**
- 07. Please give full shipping instructions on each order.**
- 08. Shipment of goods made approximately of the date required unless otherwise stated on their order.**
- 09. It cancels all our previous Export price list.**
- 10. Contracts After Having Been Confirmed Are Strictly Binding.**

 **SNOWMAN**
INTERNATIONAL
VETERINARY INSTRUMENTS CATALOGUE

CONTACT INFORMATION

SNOWMAN INTERNATIONAL

Contact Number: +92-333-6181131, +447312937654

Email us at: Info@snowman.com.pk, ahmed@snowman.com.pk

Visit our website: www.snowman.com.pk

Our Location: Street No. 27, Khan Mahal Road, Sialkot 51310,